

JOB NO: 0841-17  
SCALE: NA  
DRAWN: AMF  
DESIGNED: AMF  
DATE: 06/13/17

REVISIONS		
DATE	BY	REVISION
09/13/17	AF	REVISED PER TOWN COMMENTS

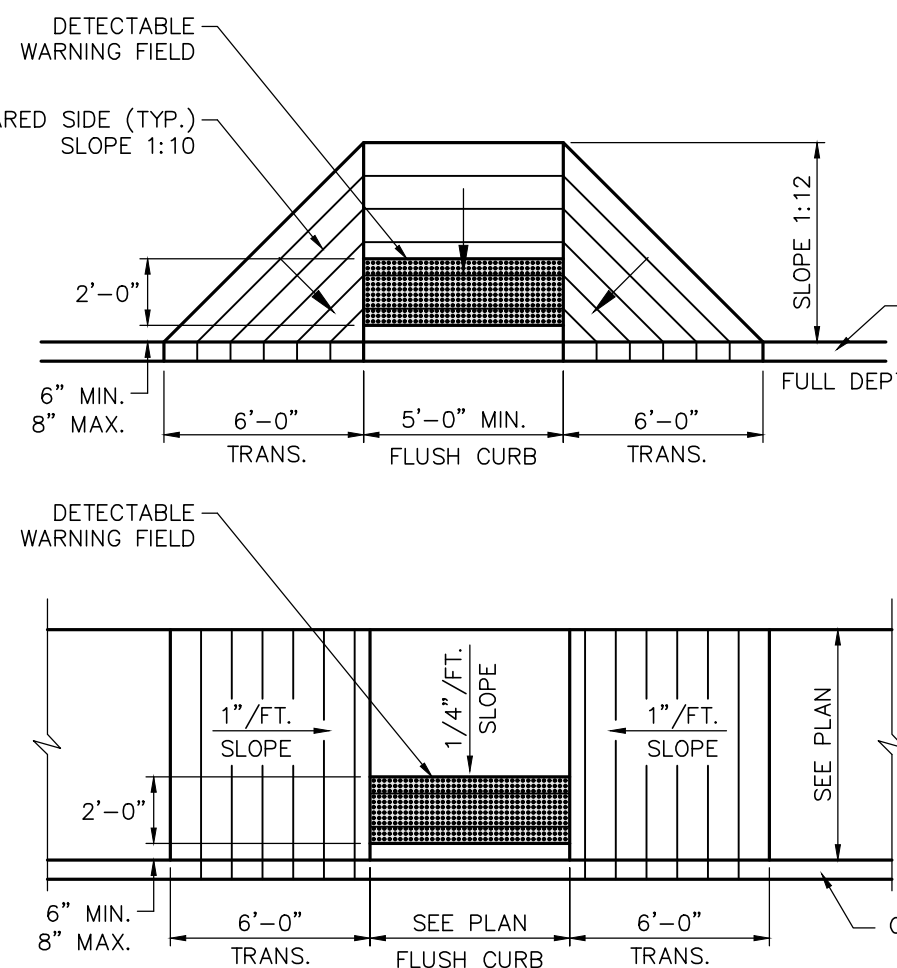
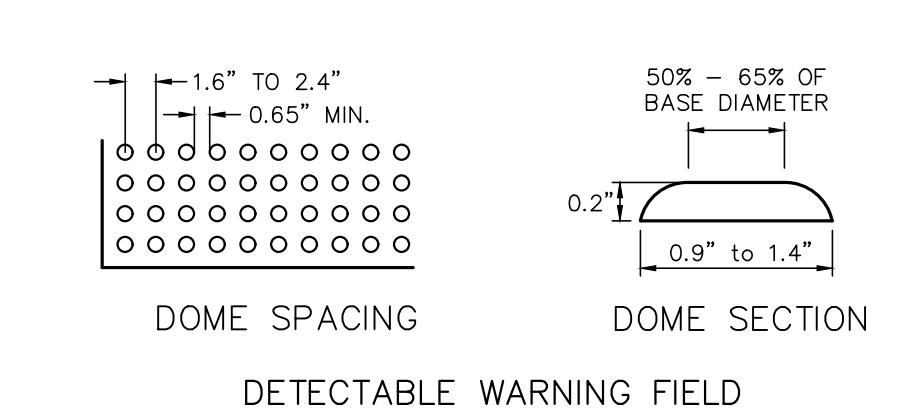
COPYRIGHT © 2017 MARATHON ENG.



ADAM M. FISHEL

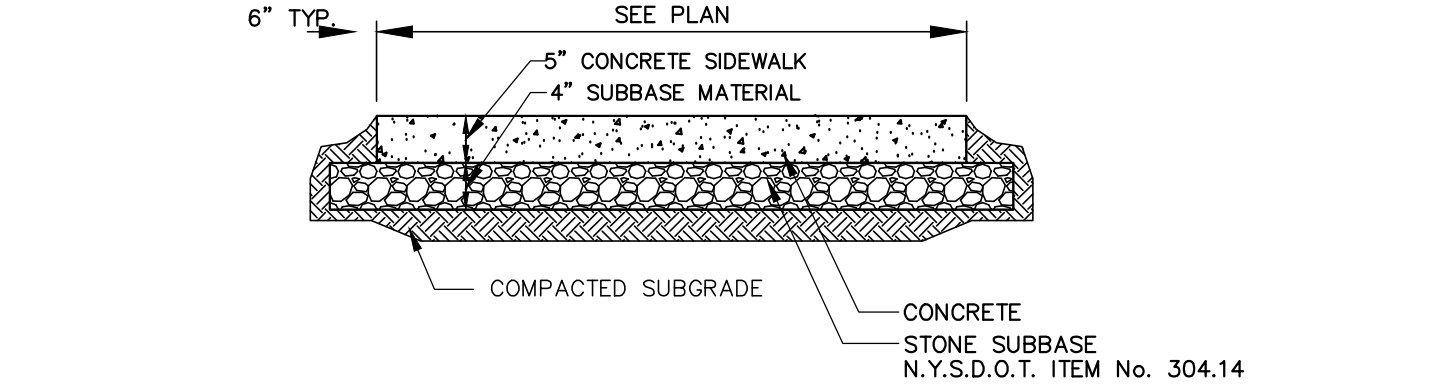
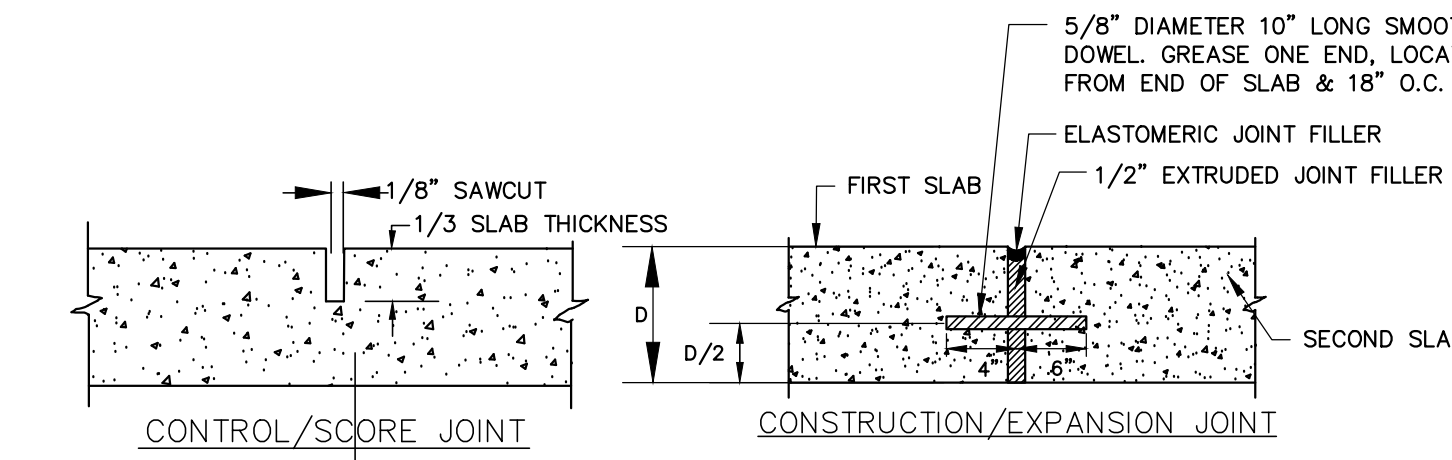
DRAWING TITLE:  
**Detail Sheet**  
**(3 of 5)**

11 of 13  
SHEET No: **C-7.2**  
0841-17  
JOB No: DRAWING No:



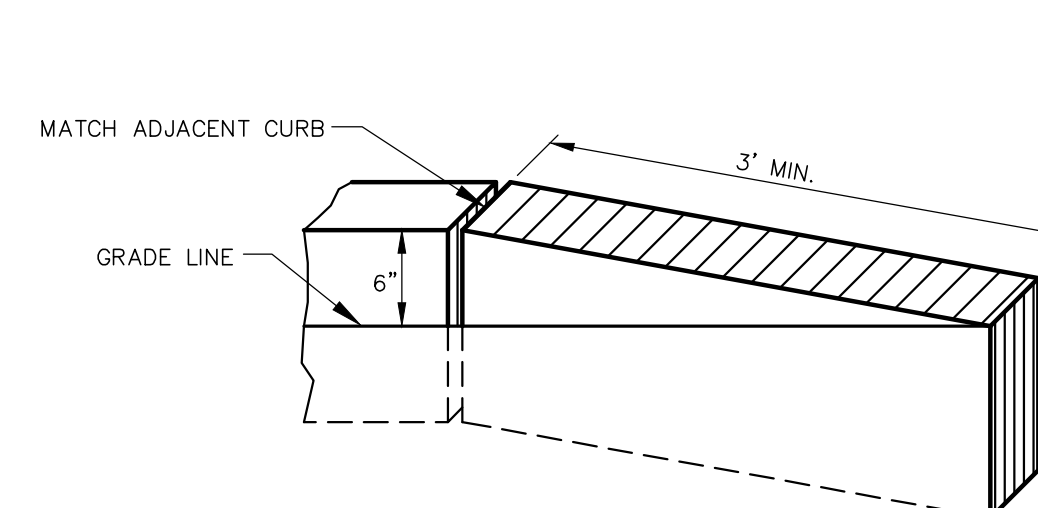
- NOTES:**
1. SURFACE TEXTURE OF RAMP SHALL BE COARSE BROOM FINISHED TRANSVERSE TO RAMP.
  2. REFER TO TYPICAL SIDEWALK DETAIL FOR MATERIAL SPECIFICATIONS.
  3. DETECTABLE WARNING FIELD SHALL EXTEND THE FULL WIDTH OF CURB RAMP OR FLUSH SURFACE.
  4. DETECTABLE WARNING FIELD SHALL BE "CHARCOAL" IN COLOR, UNLESS OTHERWISE SPECIFIED IN THE CONTRACT DOCUMENTS, OR ABOVE.

**5 ACCESS RAMP**

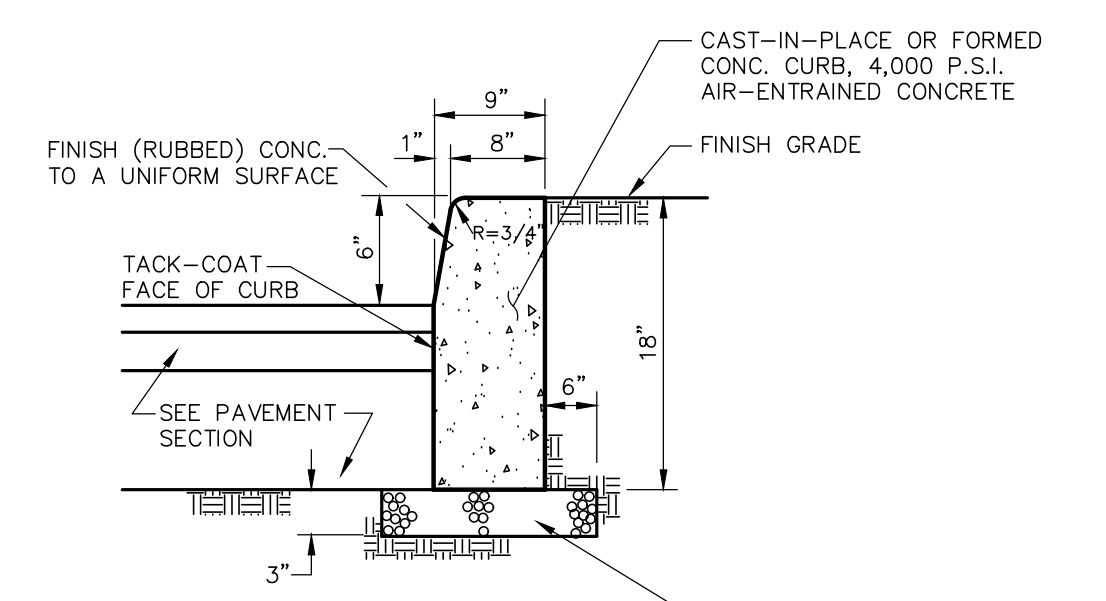


- NOTES:**
1. CONCRETE SHALL BE 4000 PSI AIR-ENTRAINED MIX.
  2. CONCRETE SURFACE SHALL RECEIVE A BROOM FINISH (IF NOT SPECIFIED AS EXPOSED AGGREGATE CONCRETE) AND TWO COATS OF A MEMBRANE FORMING SEALER AT RATES SPECIFIED BY PRODUCT MANUFACTURER.
  3. EXPANSION JOINTS SHALL BE PROVIDED AT FIXED STRUCTURES.
  4. CONTROL JOINTS SHALL BE LOCATED AS SHOWN ON PLAN AND IN ACCORDANCE WITH ACI 330-R92. THESE JOINTS SHALL BE COMPLETED WITHIN 24 HOURS OF CONCRETE PLACEMENT.
  5. SCORE PATTERN - SCORING PATTERN SHALL BE 5' X 5' SQUARE, MAY VARY IN CERTAIN AREAS-COORDINATE WITH OWNERS ONSITE REP PRIOR TO SCORING SIDEWALKS

**12 CONCRETE SIDEWALK**

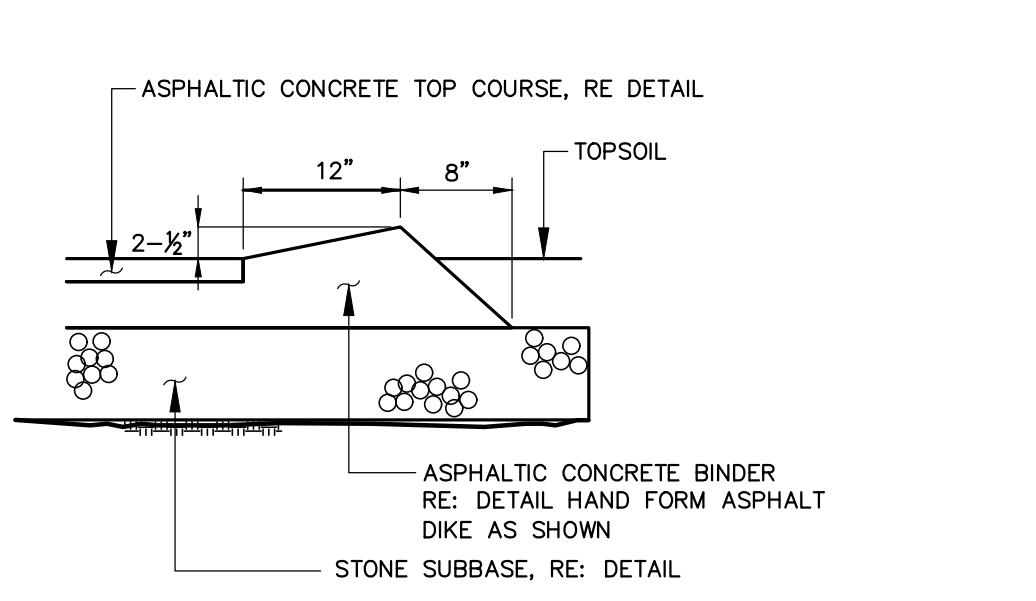


**4 CURB TRANSITION**



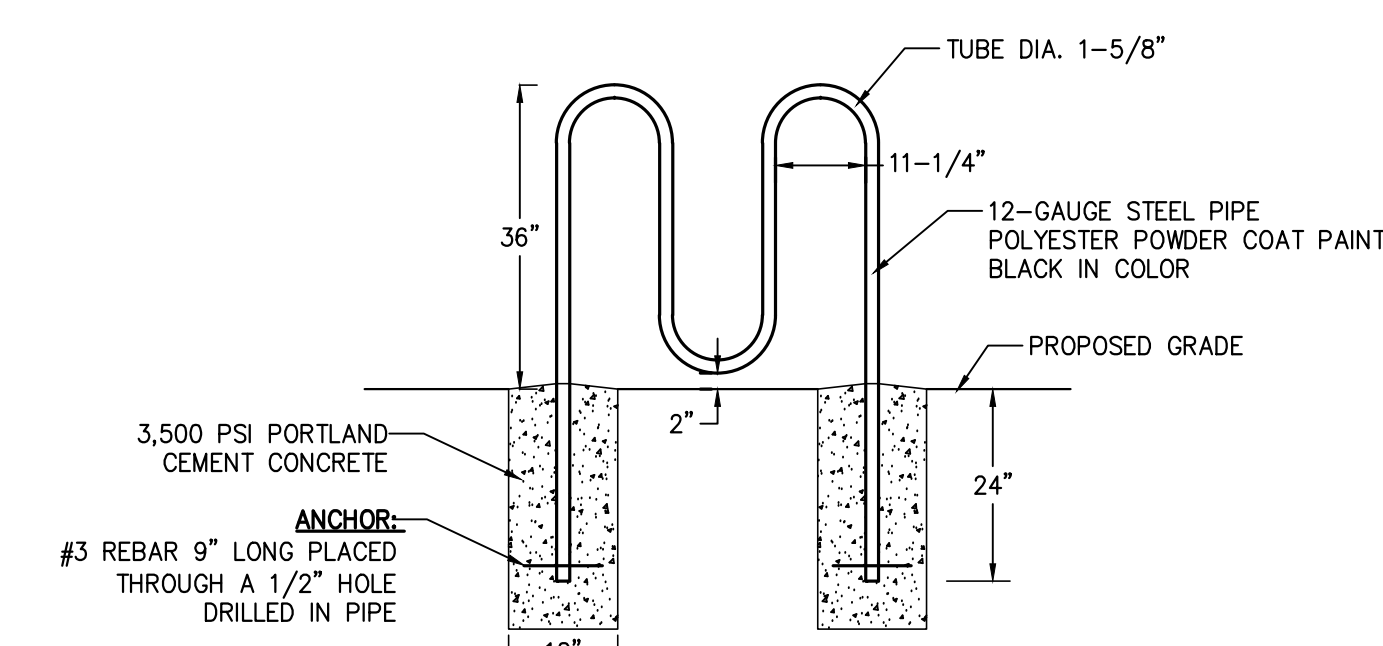
- NOTES:**
1. PROVIDE 7\"/>

**3 CONCRETE CURB**

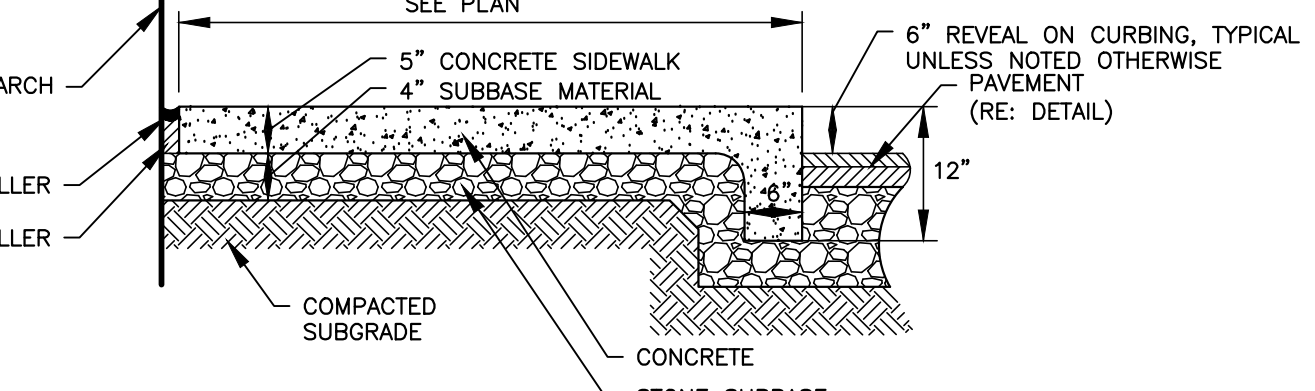
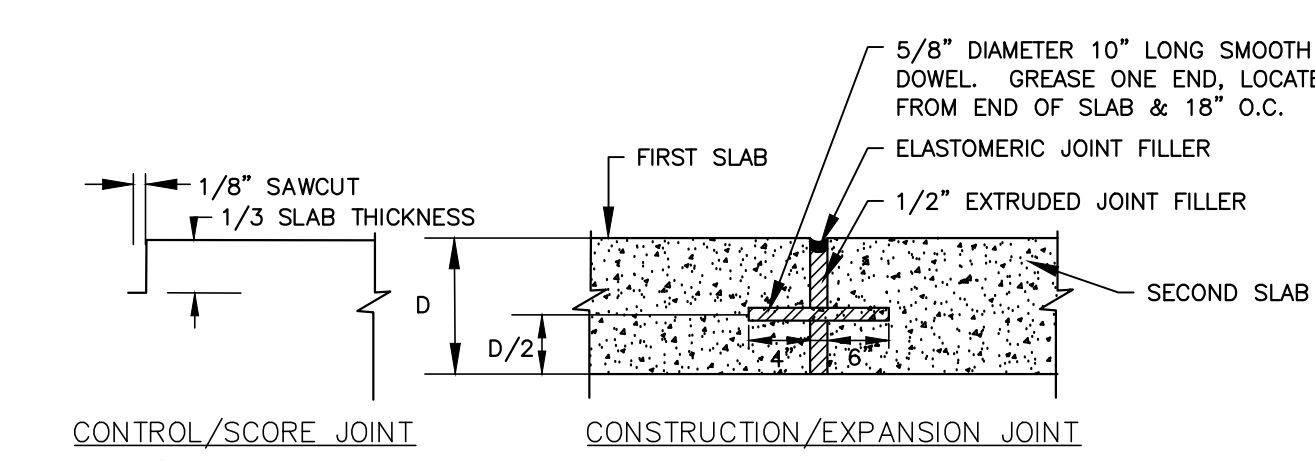


- NOTES:**
1. REFER TO APPLICABLE ASPHALT PAVEMENT SECTION FOR THICKNESSES AND MATERIALS ASSOCIATED WITH PAVEMENT SECTION.

**2 ASPHALT DIKE**

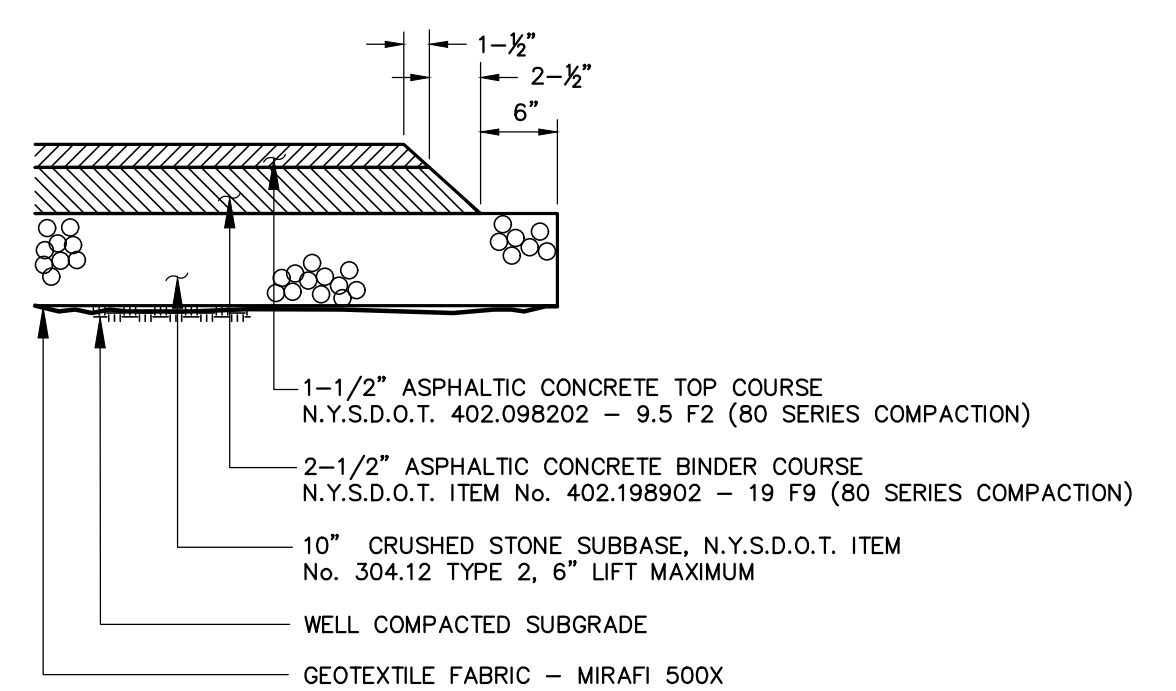


**7 BIKE RACK**

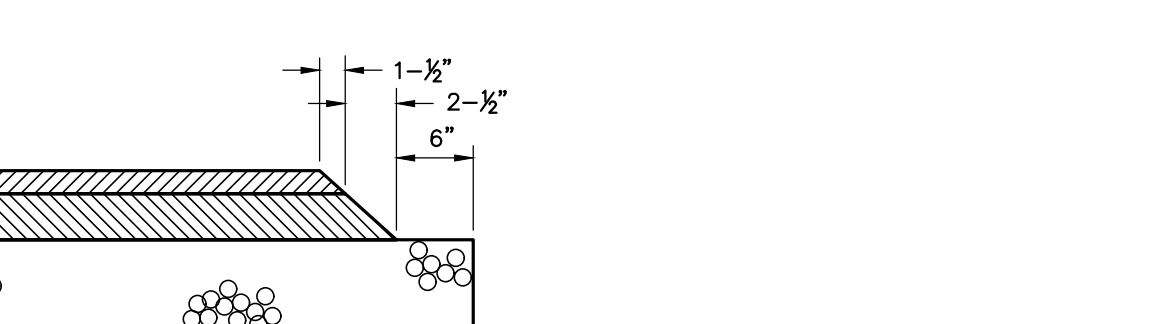


- NOTES:**
1. CONCRETE SHALL BE 4000 PSI AIR-ENTRAINED MIX.
  2. CONCRETE SURFACE SHALL RECEIVE A BROOM FINISH (IF NOT SPECIFIED AS EXPOSED AGGREGATE CONCRETE) AND TWO COATS OF A MEMBRANE FORMING SEALER AT RATES SPECIFIED BY PRODUCT MANUFACTURER.
  3. EXPANSION JOINTS SHALL BE PROVIDED AT FIXED STRUCTURES.
  4. CONTROL JOINTS SHALL BE LOCATED AS SHOWN ON PLAN AND IN ACCORDANCE WITH ACI 330-R92. THESE JOINTS SHALL BE COMPLETED WITHIN 24 HOURS OF CONCRETE PLACEMENT.
  5. SCORE PATTERN - SCORING PATTERN SHALL BE 5' X 5' SQUARE, MAY VARY IN CERTAIN AREAS-COORDINATE WITH OWNERS ONSITE REP PRIOR TO SCORING SIDEWALKS

**9 RAISED CONCRETE SIDEWALK WITH INTEGRAL CURBING**



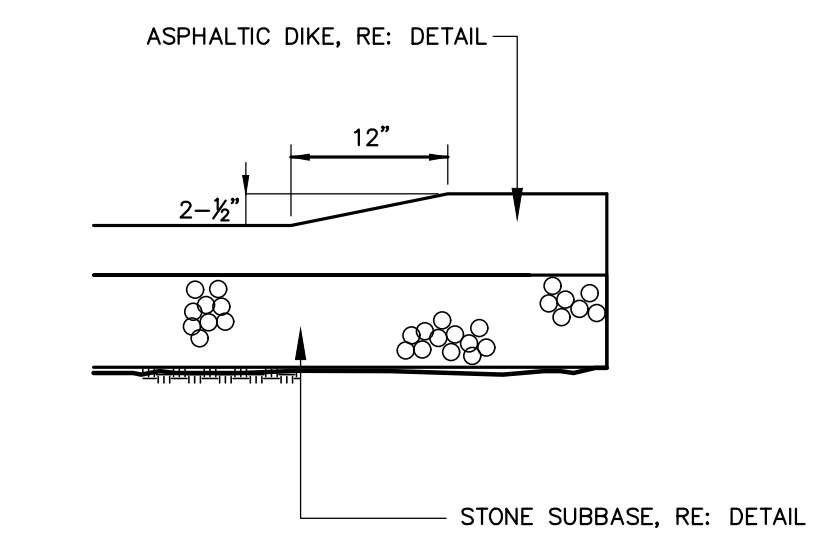
**1 ASPHALT PAVEMENT SECTION**



**6 EDGE OF PAVEMENT**

YELLOW CURBING AND BOLLARDS - PARKING LOT	SURFACES SHOULD BE CLEAN, DRY AND METAL SURFACES FREE OF HEAVY RUST 2 COATS SHERWIN WILLIAMS - KEN 4000 ACRYLIC ALKYD ENAMEL SAFETY YELLOW B55Y300
STRIPING - PARKING LOT	SURFACES SHOULD BE CLEAN, DRY, TOP COAT SHERWIN WILLIAMS - PROMAR TRAFFIC MARKING PAINT YELLOW TMS495
HANDICAP STRIPING - PARKING LOT	SURFACES SHOULD BE CLEAN, DRY, TOP COAT SHERWIN WILLIAMS - PROMAR TRAFFIC MARKING PAINT "H.C." BLUE
STRIPED AREAS	SINGLE YELLOW SOLID LINE (SYSL) @45" @2' O.C.

**10 STRIPING INFORMATION**



- NOTES:**
1. REFER TO APPLICABLE ASPHALT PAVEMENT SECTION FOR THICKNESSES AND MATERIALS ASSOCIATED WITH PAVEMENT SECTION.

**11 ASPHALT DIKE TRANSITION**

**8 RESERVED**