

Kynar 500® Top Coat Colors

PATRICIAN BRONZE	DESERT SAND	CANYON BROWN	CINDER BLACK	BRONZE	POLAR WHITE	NEW! STAINLESS SILVER
------------------	-------------	--------------	--------------	--------	-------------	-----------------------

Custom colors available. Please request color samples.

SIGN OFF

SIGNATURE: _____

COMPANY: _____

DATE: _____

COLOR: _____

SUBMITTALS ARE NOT FOR CONSTRUCTION
PROVIDE FIELD MEASUREMENT PRIOR TO FABRICATION

PLEASE SPECIFY THE FOLLOWING

FINISH: _____

INTENDED SECURE SIDE: _____

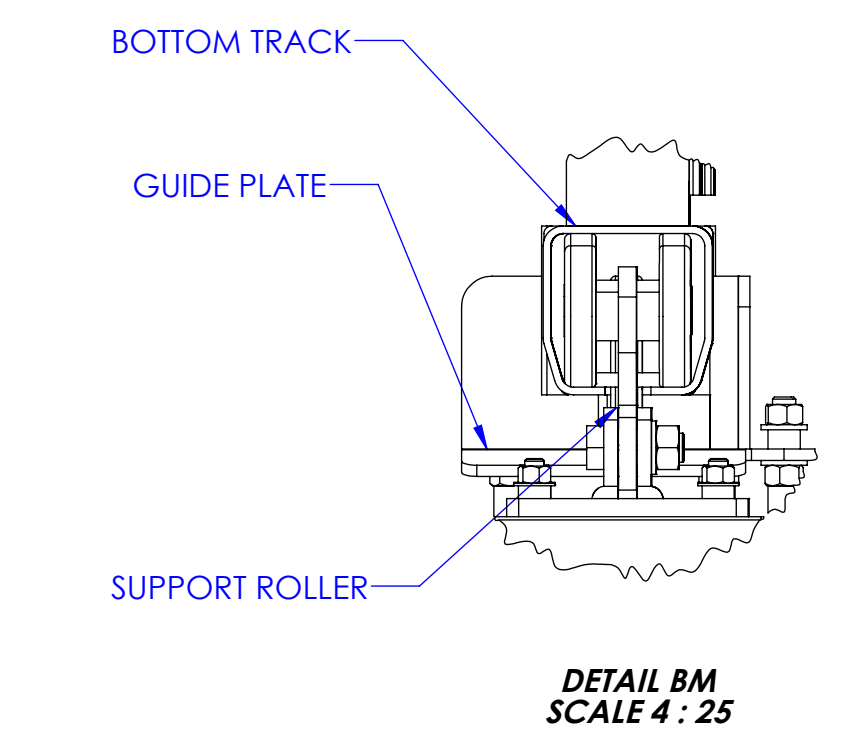
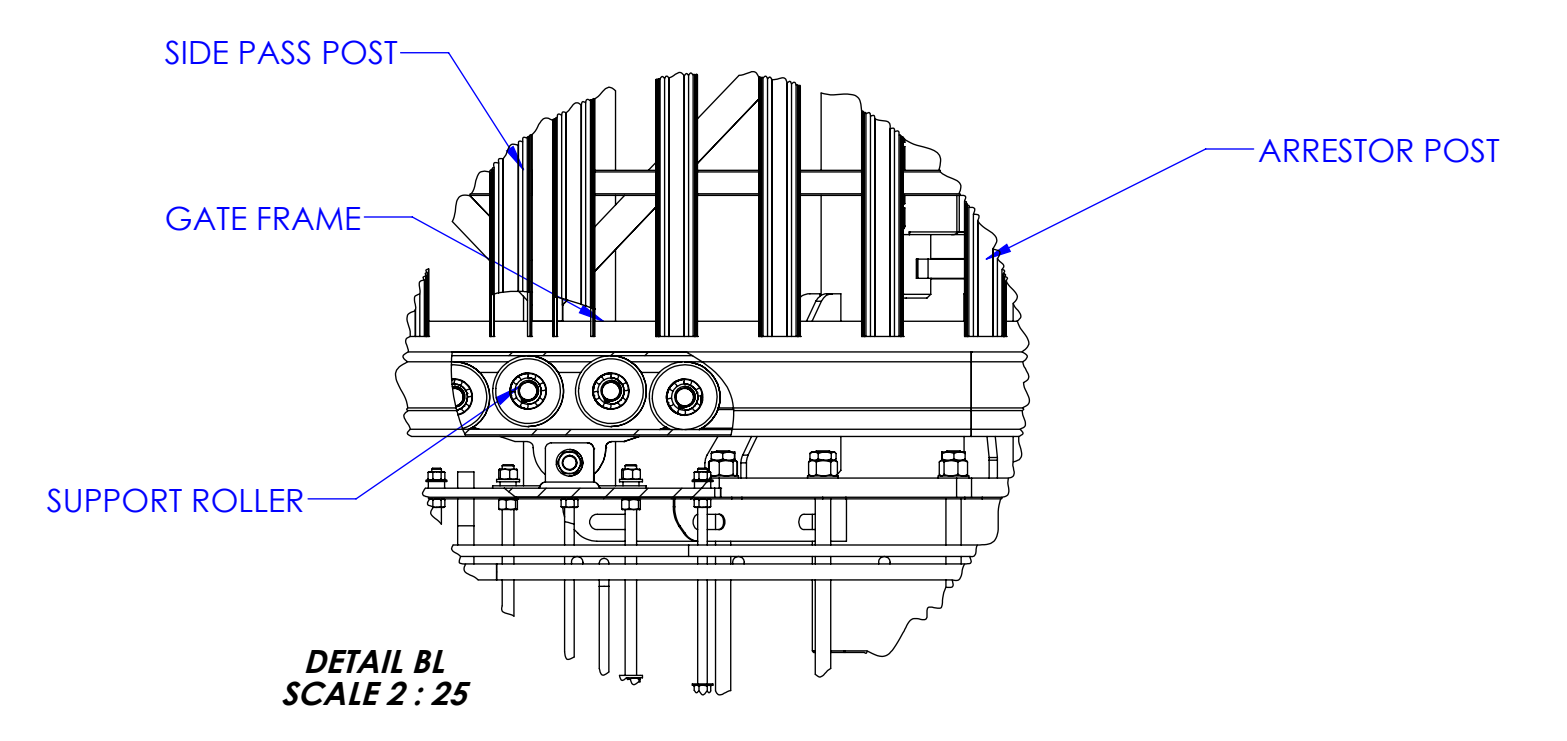
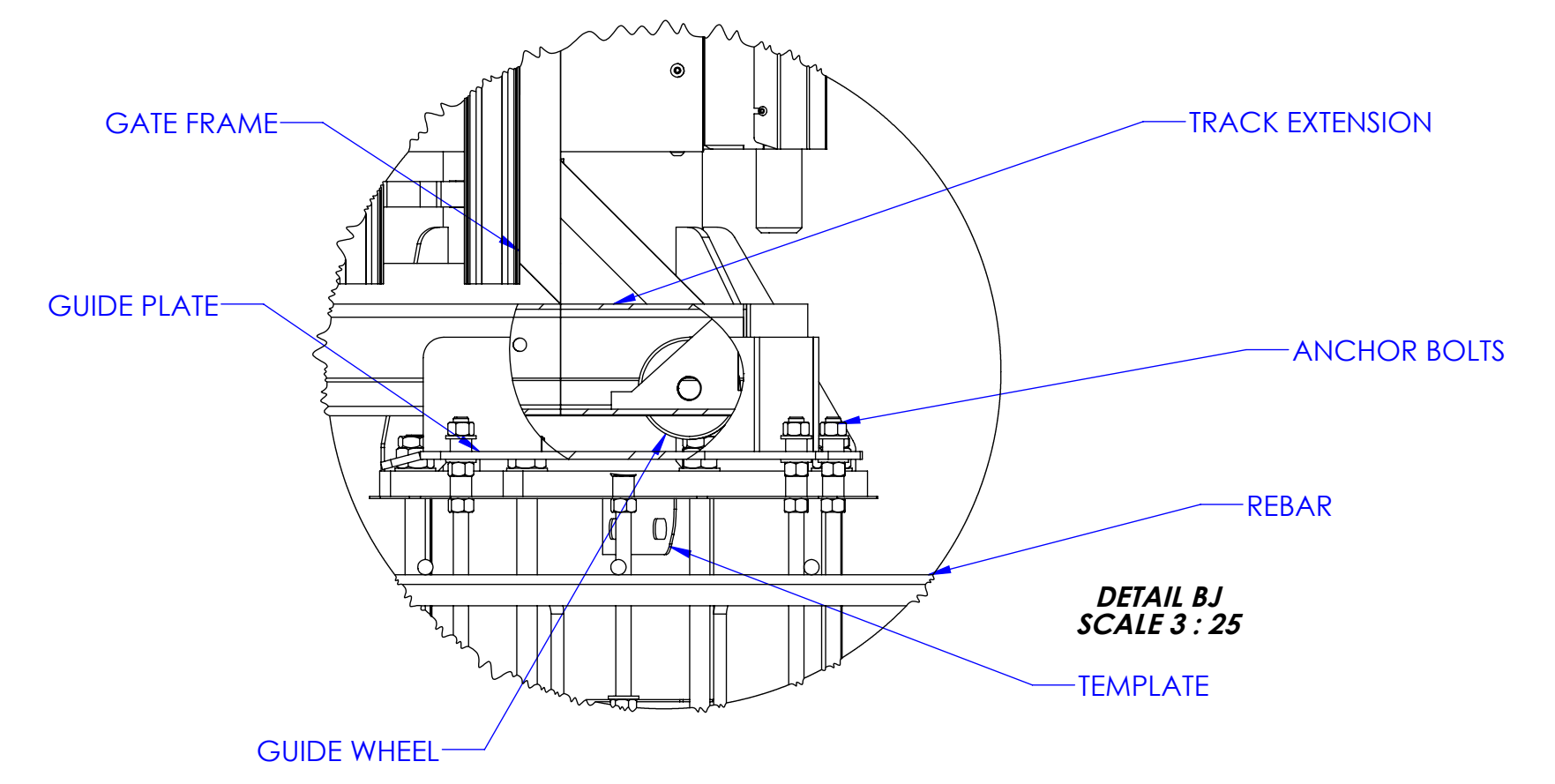
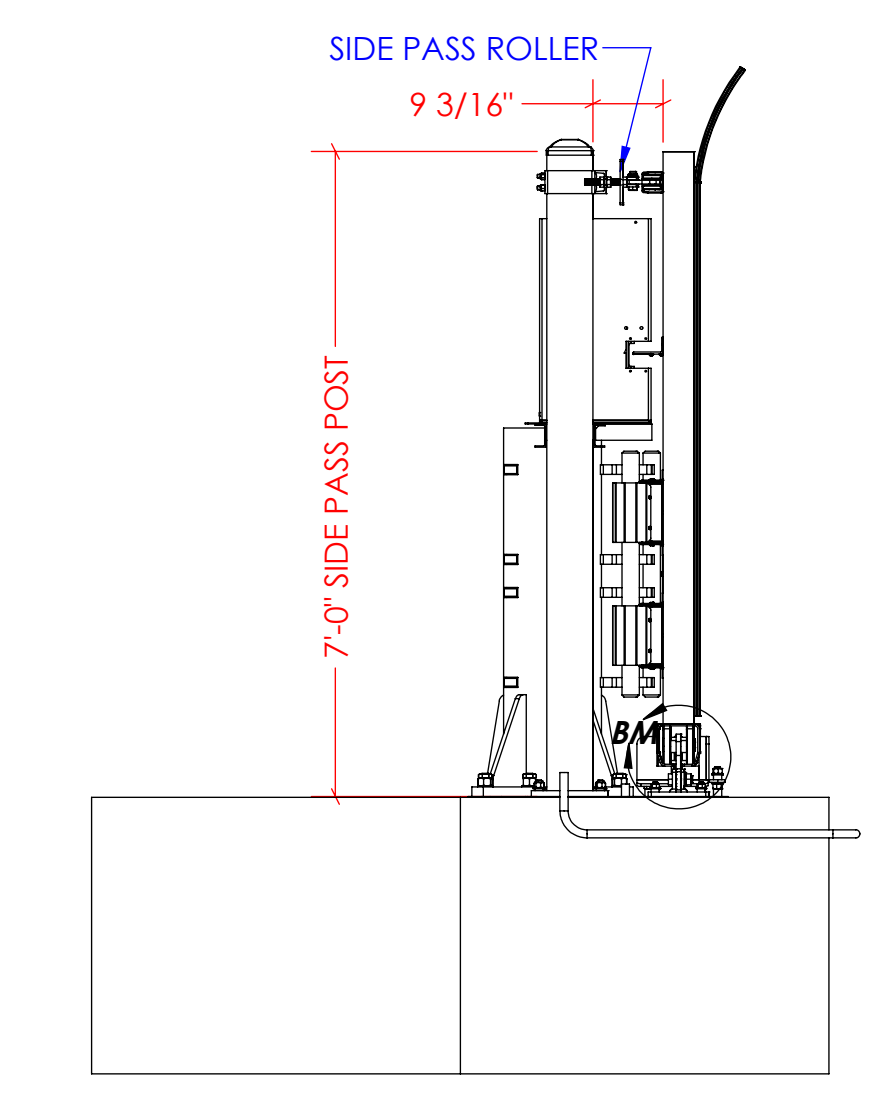
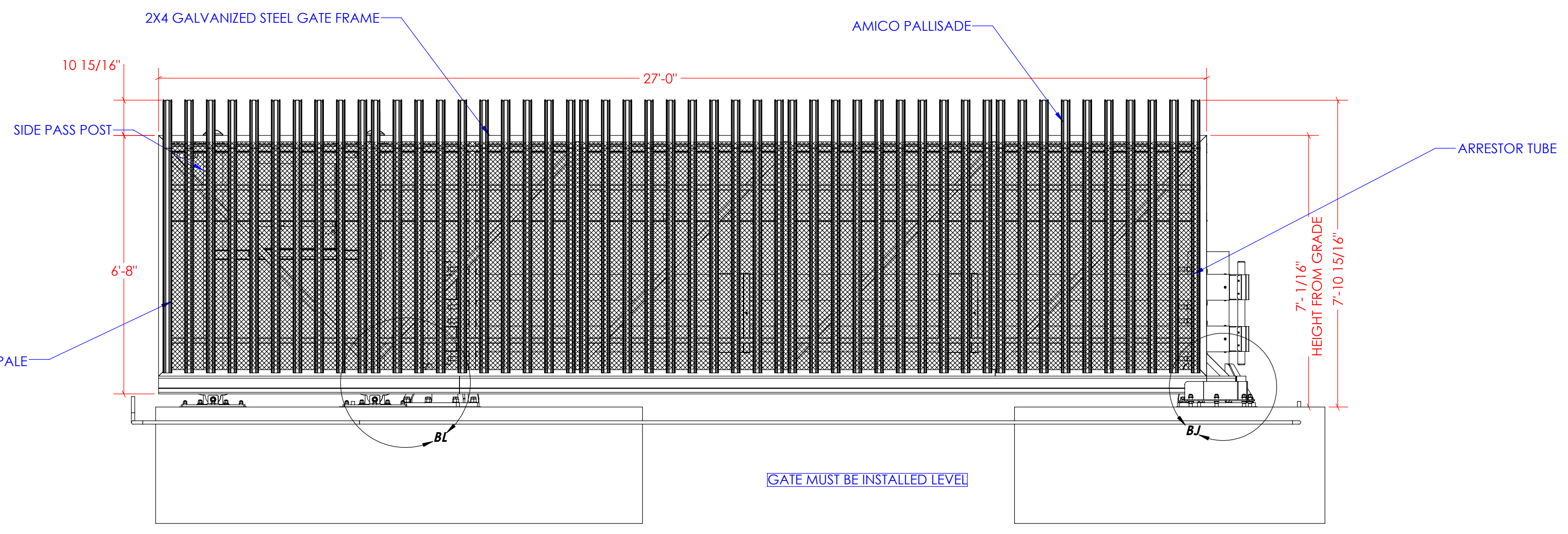
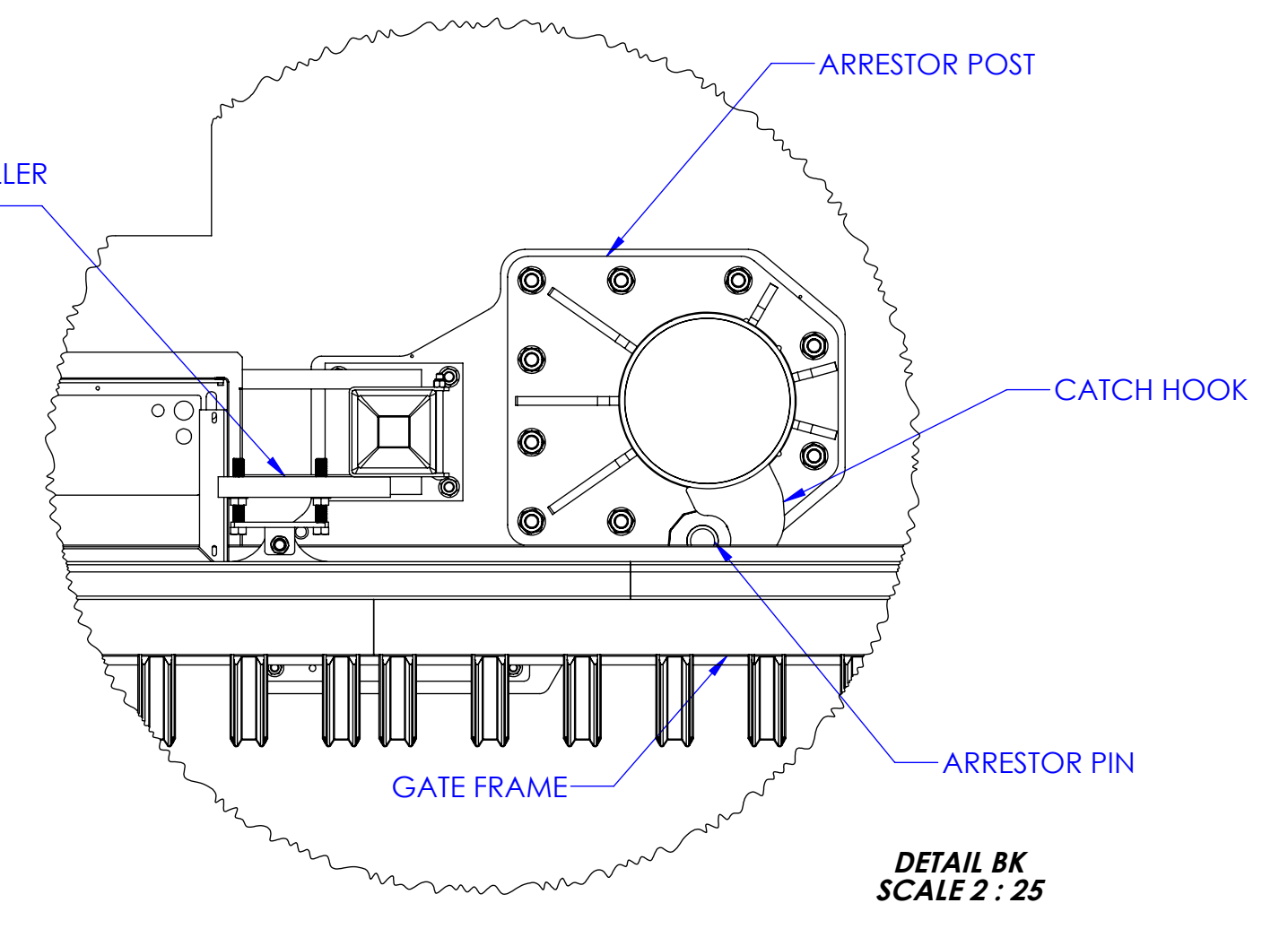
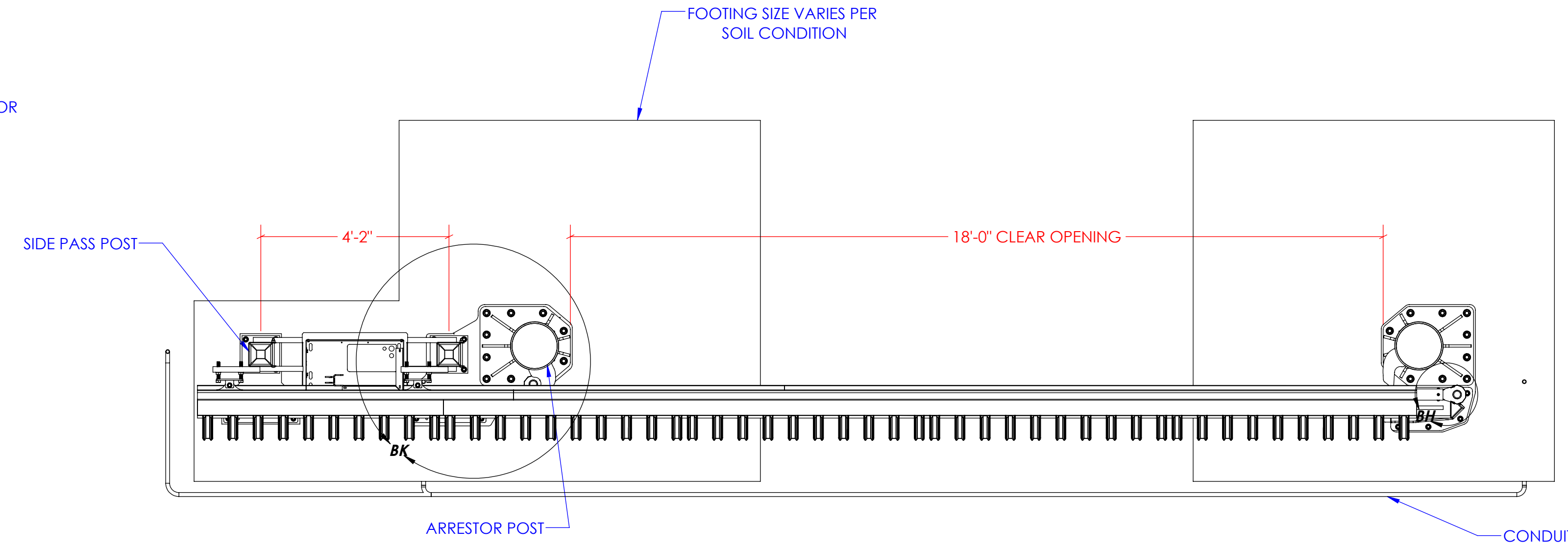
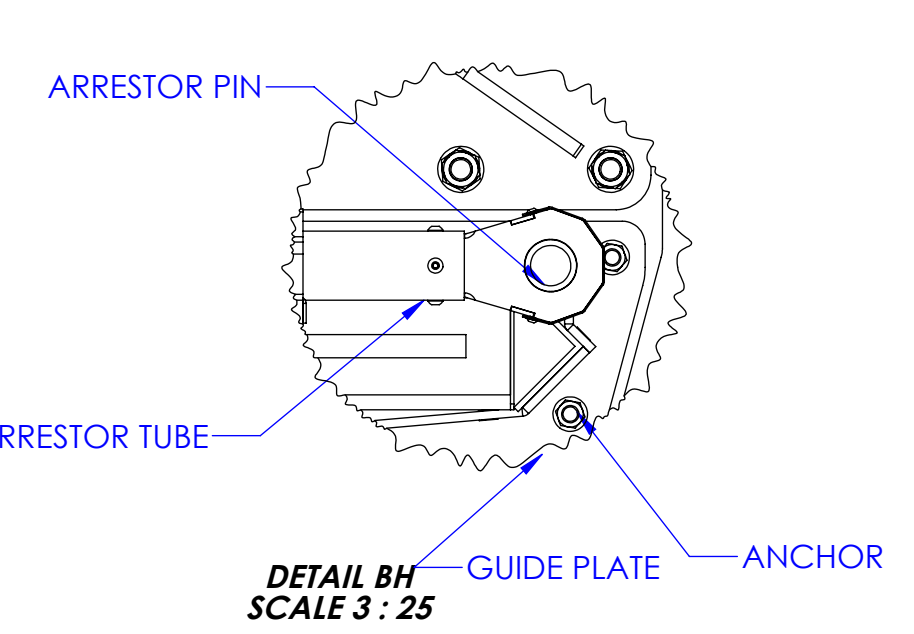
GATE TRAVEL DIRECTION FROM SPECIFIED SECURED SIDE: _____

DESIRED INFILL: _____



BASTEEL
PERIMETER SYSTEMS™

DRAWN BY	NAME	DATE	CUSTOMER:
FRSH	SEE NOTES	12-01-23	BASTEEL
COLOR:			TITLE:
			M50 SUPER HEAVY
<small>PROPRIETARY AND CONFIDENTIAL THE INFORMATION CONTAINED IN THIS DRAWING IS THE SOLE PROPERTY OF BASTEEL PERIMETER SYSTEMS. ANY REPRODUCTION IN PART OR AS A WHOLE WITHOUT THE WRITTEN PERMISSION OF BASTEEL PERIMETER SYSTEMS IS PROHIBITED.</small>			SIZE DWG. 22FT RH WEIGHT:



Kynar 500® Top Coat Colors

PATRICIAN BRONZE	DESERT SAND	CANYON BROWN	CINDER BLACK	BRONZE	POLAR WHITE	NEW! STAINLESS SILVER
------------------	-------------	--------------	--------------	--------	-------------	-----------------------

Custom colors available. Please request color samples.

SIGN OFF

SIGNATURE: _____

COMPANY: _____

DATE: _____

COLOR: _____

**SUBMITTALS ARE NOT FOR CONSTRUCTION
PROVIDE FIELD MEASUREMENT PRIOR TO
FABRICATION**

PLEASE SPECIFY THE FOLLOWING

FINISH: _____

INTENDED SECURE SIDE: _____

GATE TRAVEL DIRECTION FROM SPECIFIED SECURED SIDE: _____

DESIRED INFILL: _____



BASTEEL PERIMETER SYSTEMS™

DRAWN BY:	NAME:	DATE: 12-01-23	CUSTOMER: BASTEEL
FRSH: SEE NOTES	TITLE: M50 SUPER HEAVY		REV: _____
COLOR: _____	SIZE: D	DWG: 18FT RH	WEIGHT: _____

PROPRIETARY AND CONFIDENTIAL
THE INFORMATION CONTAINED IN THIS DRAWING IS THE SOLE PROPERTY OF BASTEEL PERIMETER SYSTEMS. ANY REPRODUCTION IN PART OR AS A WHOLE WITHOUT THE WRITTEN PERMISSION OF BASTEEL PERIMETER SYSTEMS IS PROHIBITED.