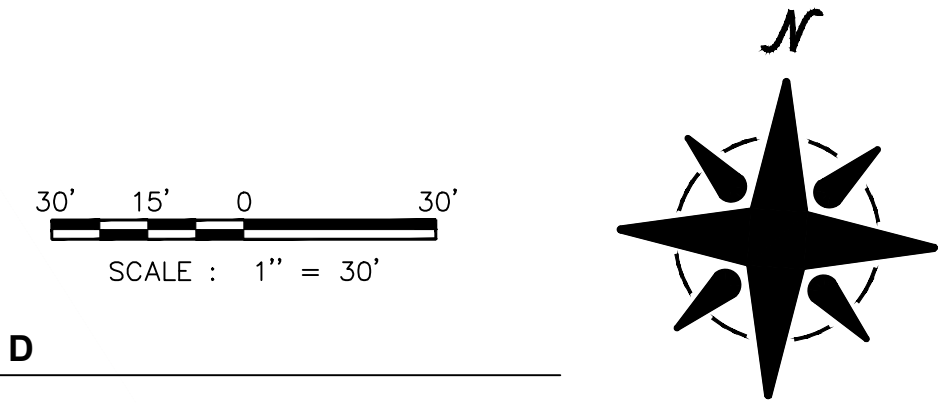
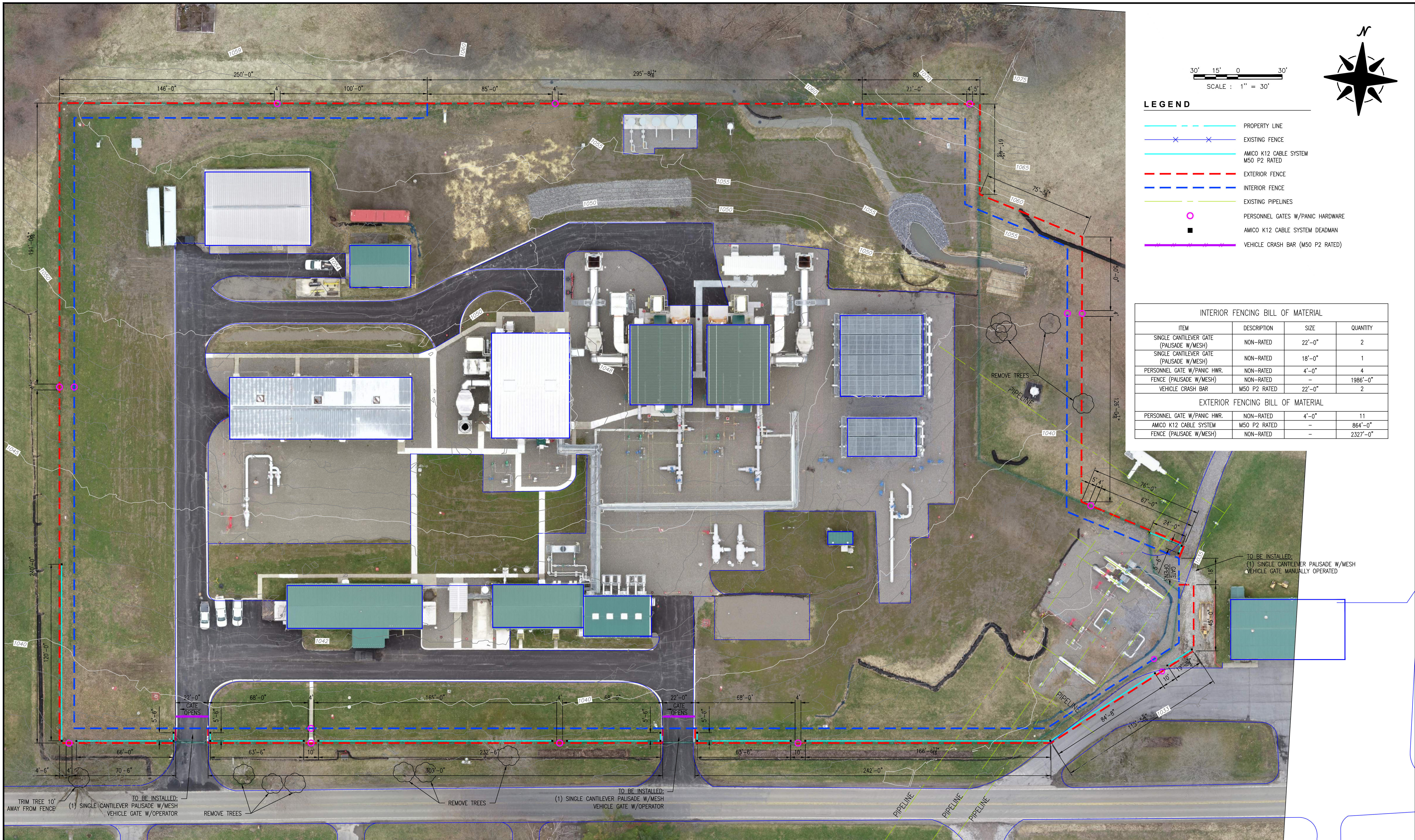


Eastern Gas Transmission & Storage, Inc.
925 White Oaks Blvd.
Bridgeport, West Virginia 26330

BORGER COMP. STA. MISSION 3.5 FENCE INSTALLATION
ITHACA, NY
(2023) CONSTRUCTION

DRAWING LIST	
DWG NUMBER	DRAWING TITLE
1. STZ7464N	BORGER COMPRESSOR STATION - CRITICAL FACILITY PERIMETER FENCE SITE PLAN
2. ELZ7464NA	BORGER COMPRESSOR STATION - CRITICAL FACILITY PERIMETER FENCE ELECTRICAL PLAN
3. SFE6471A	STANDARD FENCE & GATE GROUNDING DETAILS

TELEPHONE: (681) 842-3000
FAX NUMBER: (681) 842-3507
ISSUED FOR CONST.: _____
REVISED: 12-06-2023



LEGEND

- PROPERTY LINE
- X X EXISTING FENCE
- AMICO K12 CABLE SYSTEM M50 P2 RATED
- EXTERIOR FENCE
- INTERIOR FENCE
- EXISTING PIPELINES
- PERSONNEL GATES W/PANIC HARDWARE
- AMICO K12 CABLE SYSTEM DEADMAN
- VEHICLE CRASH BAR (M50 P2 RATED)

INTERIOR FENCING BILL OF MATERIAL			
ITEM	DESCRIPTION	SIZE	QUANTITY
SINGLE CANTILEVER GATE (PALISADE W/MESH)	NON-RATED	22'-0"	2
SINGLE CANTILEVER GATE (PALISADE W/MESH)	NON-RATED	18'-0"	1
PERSONNEL GATE W/PANIC HWR.	NON-RATED	4'-0"	4
FENCE (PALISADE W/MESH)	NON-RATED	-	1986'-0"
VEHICLE CRASH BAR	M50 P2 RATED	22'-0"	2
EXTERIOR FENCING BILL OF MATERIAL			
PERSONNEL GATE W/PANIC HWR.	NON-RATED	4'-0"	11
AMICO K12 CABLE SYSTEM	M50 P2 RATED	-	864'-0"
FENCE (PALISADE W/MESH)	NON-RATED	-	2327'-0"

GENERAL NOTES AND COMMENTS:

TRIM TREE 10' AWAY FROM FENCE

TO BE INSTALLED: (1) SINGLE CANTILEVER PALISADE W/MESH VEHICLE GATE W/OPERATOR

REMOVE TREES

TO BE INSTALLED: (1) SINGLE CANTILEVER PALISADE W/MESH VEHICLE GATE W/OPERATOR

REMOVE TREES

TO BE INSTALLED: (1) SINGLE CANTILEVER PALISADE W/MESH VEHICLE GATE MANUALLY OPERATED

SYM.	DATE	BY	REVISION INFORMATION	PROJECT/TASK	APP.
△	02/14/2024	JRB	ADDED NOTES TO REMOVE TREES, REROUTE FENCE	94740.3.6291	CMD
i	12/06/2023	JRB	UPDATED FENCE TYPE AND BOM	94740.3.6291	CMD
h	08/10/2023	JRB	UPDATED FENCE TYPE	94740.3.6291	CMD
g	05/30/2023	JRB	ADDED TREE REMOVAL	94740.3.6291	CMD
f	05/22/2023	JRB	ADDED CONTOUR LINES	94740.3.6291	CMD
e	05/19/2023	JRB	UPDATED FENCE TYPE & ADDED CRASH BARS	94740.3.6291	CMD
d	04/21/2023	JRB	ADJUSTED FENCE QUANTITIES, UPDATED LEGEND	94740.3.6291	CMD

SEAL

ORIGINAL CONSTRUCTION INFORMATION	
PROJECT/TASK:	94740.3.6291
DRAWN:	JRB 01/27/2023
CHECKED:	
APP. FOR BID:	
APP. FOR CONST.:	
SCALE:	1" = 30'

EASTERN
GAS TRANSMISSION AND STORAGE

Eastern Gas Transmission and Storage, Inc.
925 White Oaks Blvd., Bridgeport, WV 26330
(681) 842-3000

FOR: **BORGER COMPRESSOR STATION**

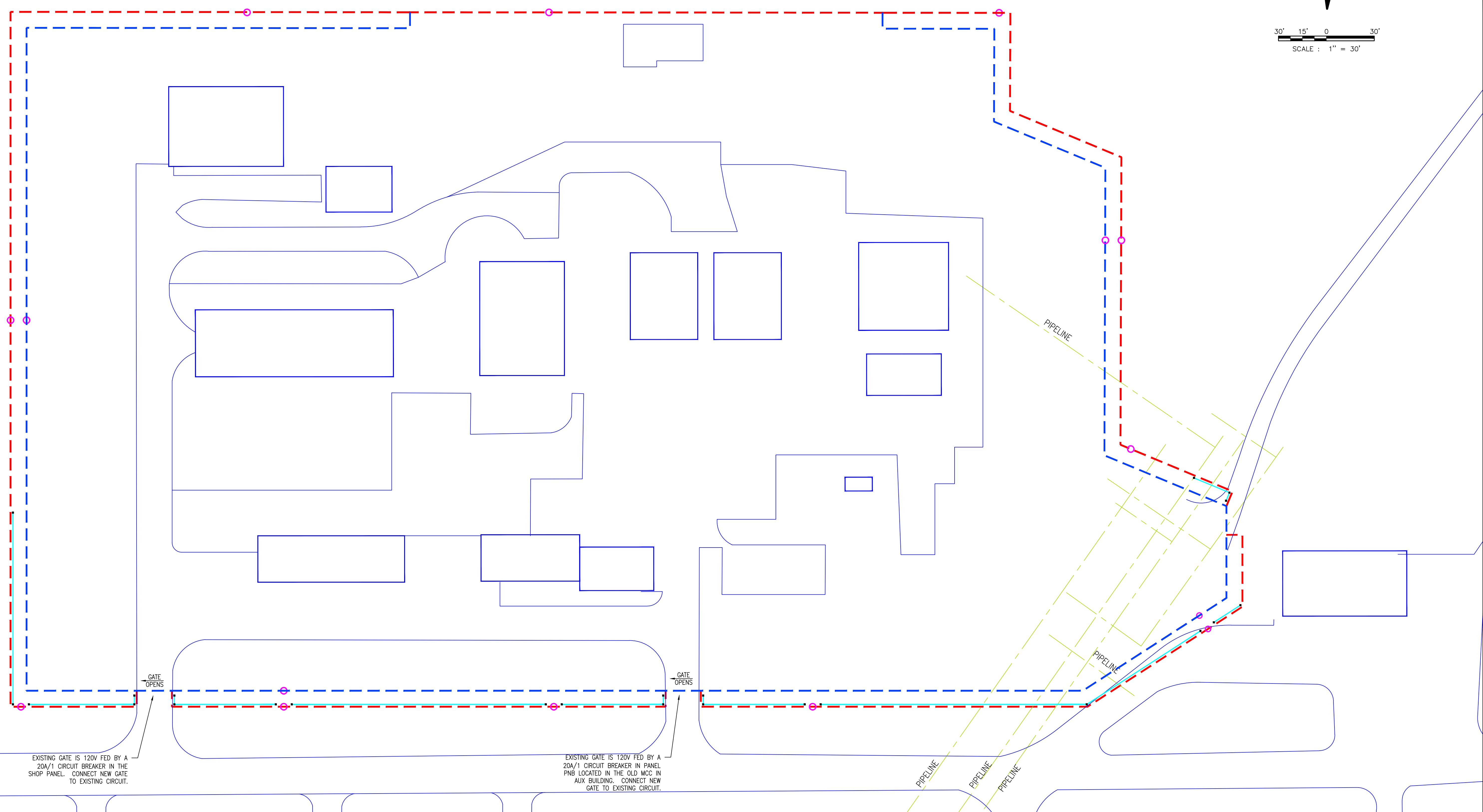
TITLE: **CRITICAL FACILITY PERIMETER FENCE SITE PLAN**

TOWN: COUNTY: GROUP: DWG. NO. REV. **ST Z7464N j**

DIR/FILE:



30' 15' 0 30'
SCALE : 1" = 30'



EXISTING GATE IS 120V FED BY A 20A/1 CIRCUIT BREAKER IN THE SHOP PANEL. CONNECT NEW GATE TO EXISTING CIRCUIT.

EXISTING GATE IS 120V FED BY A 20A/1 CIRCUIT BREAKER IN PANEL PNB LOCATED IN THE OLD MCC IN AUX BUILDING. CONNECT NEW GATE TO EXISTING CIRCUIT.

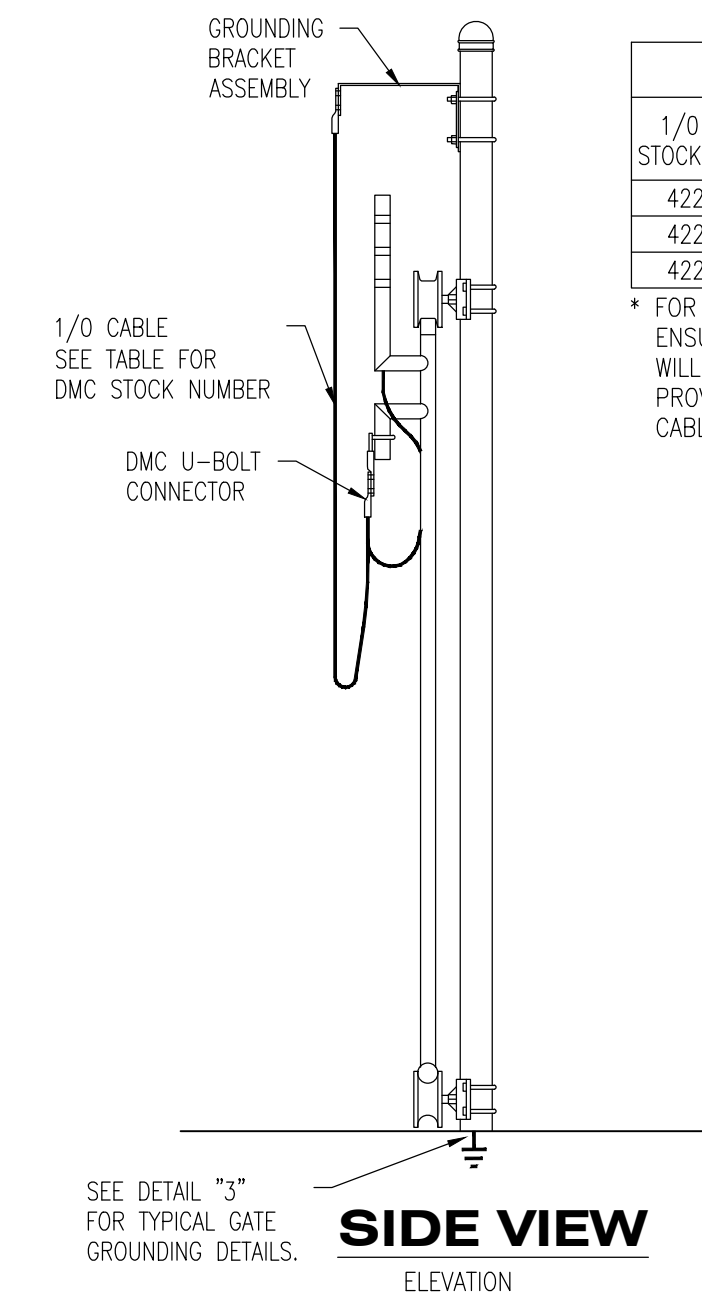
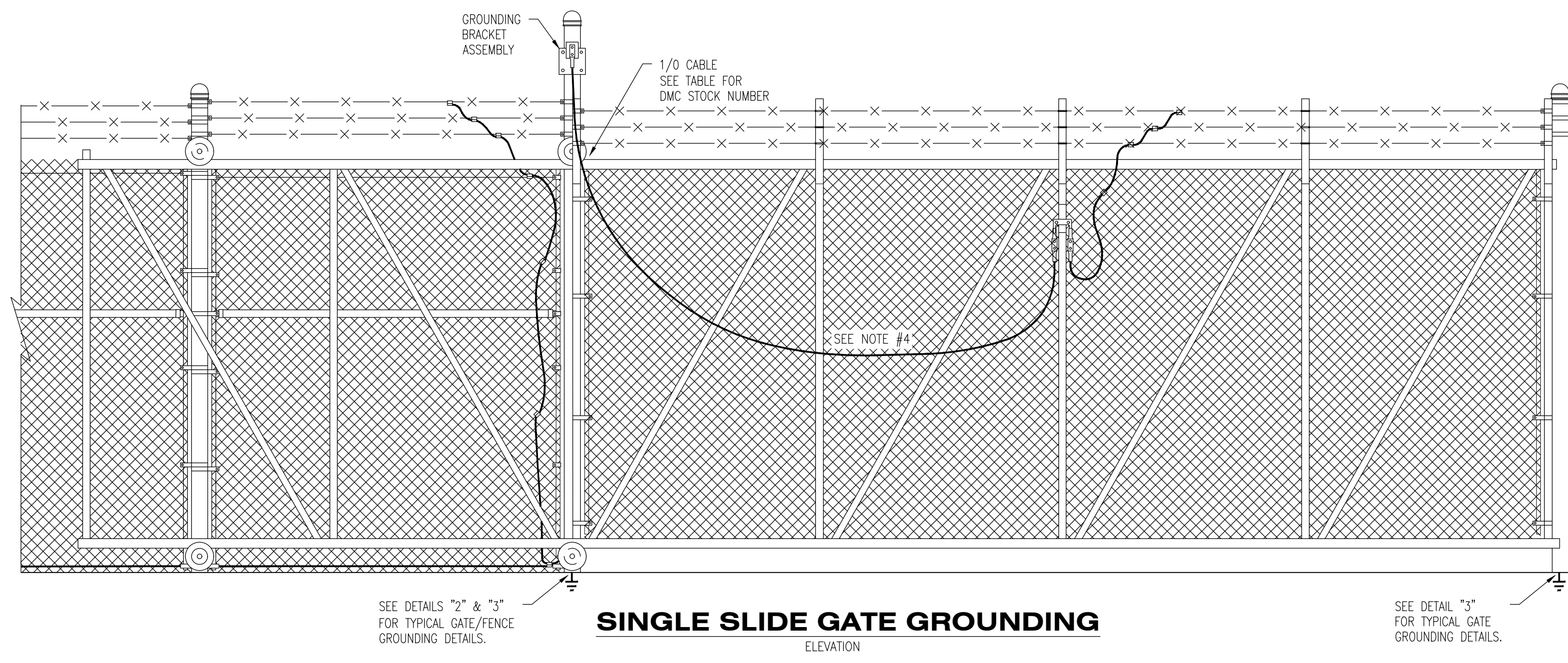
GENERAL NOTES AND COMMENTS:

SYM.	DATE	BY	REVISION INFORMATION	PROJECT/TASK	APP.
d	02/14/2024	JRB	UPDATE FENCE	94740.3.6291	
c	12/06/2023	JRB	UPDATE FENCE	94740.3.6291	
b	04/19/2023	JRB	ADDED EXTERIOR PERSONNEL GATES	94740.3.6291	
a	04/19/2023	JRB	UPDATED FENCE	94740.3.6291	

SEAL

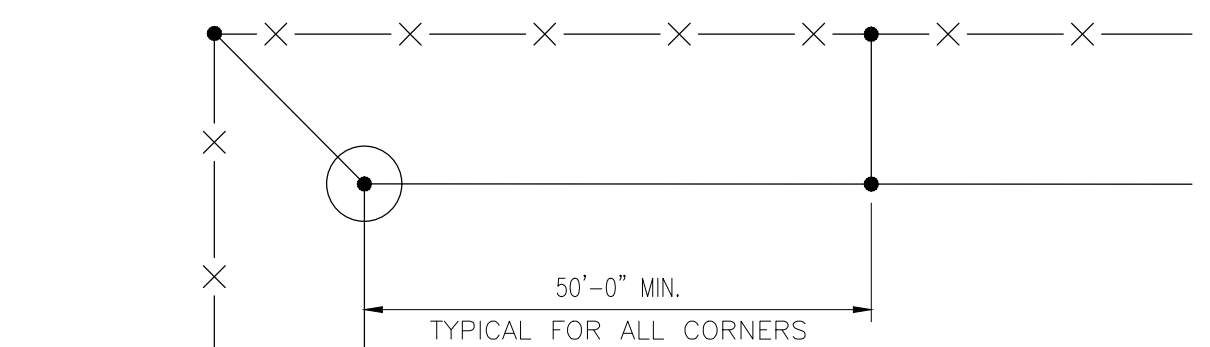
ORIGINAL CONSTRUCTION INFORMATION	
PROJECT/TASK:	94740.3.6291
DRAWN:	JRB 01/27/2023
CHECKED:	
APP. FOR BID:	
APP. FOR CONST.:	
SCALE:	1" = 30'

		Eastern Gas Transmission and Storage, Inc. 925 White Oaks Blvd., Bridgeport, WV 26330 (681) 842-3000	
FOR:		BORGER COMPRESSOR STATION	
TITLE:		CRITICAL FACILITY PERIMETER FENCE ELECTRICAL PLAN	
TOWN:	COUNTY:	GROUP:	DWG. NO.
DIR/FILE:		EL	Z7464NA d



1/0 CABLE TABLE	
1/0 CABLE STOCK NUMBER	SWING GATE TYPE/SIZE
42257344	B-PART 20' MAX.
42257345	B-PART 30' MAX.
42257346	SINGLE 20' MAX.

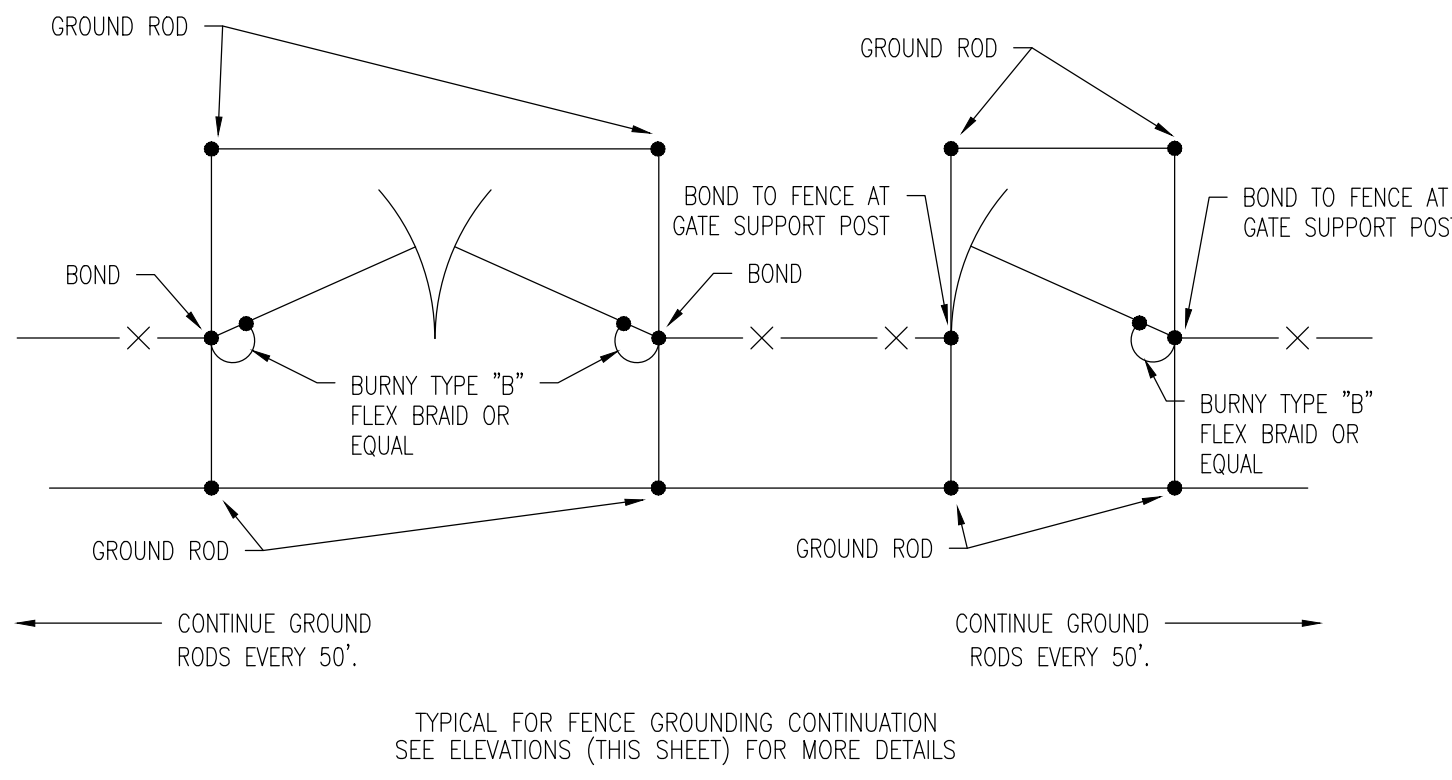
FOR NON-STANDARD GATE OPENINGS ENSURE ANY OF THE ABOVE CABLES WILL PROVIDE ENOUGH SLACK OR PROVIDE SPECIAL ORDER LENGTH CABLE TO FIT IF NEEDED.



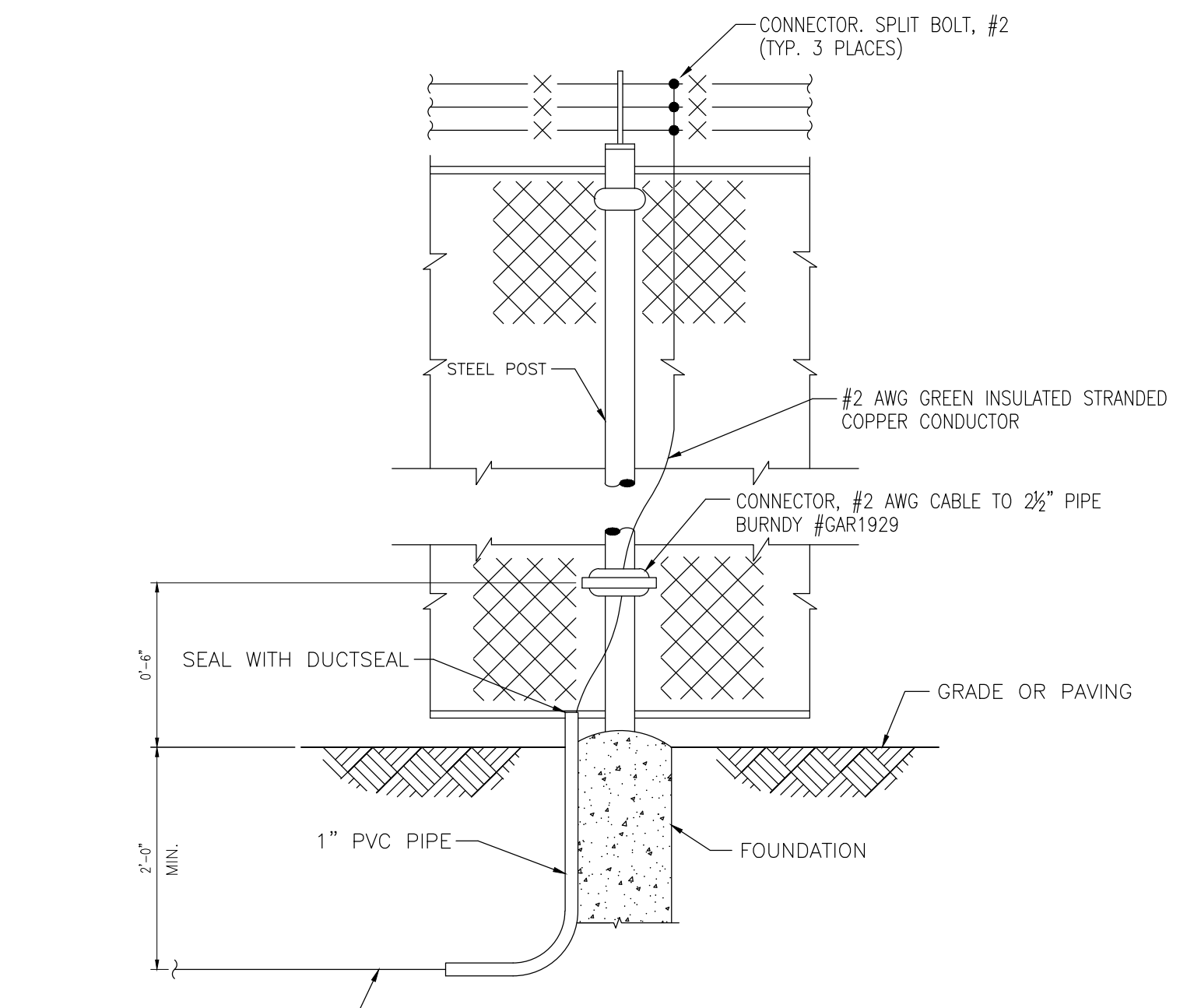
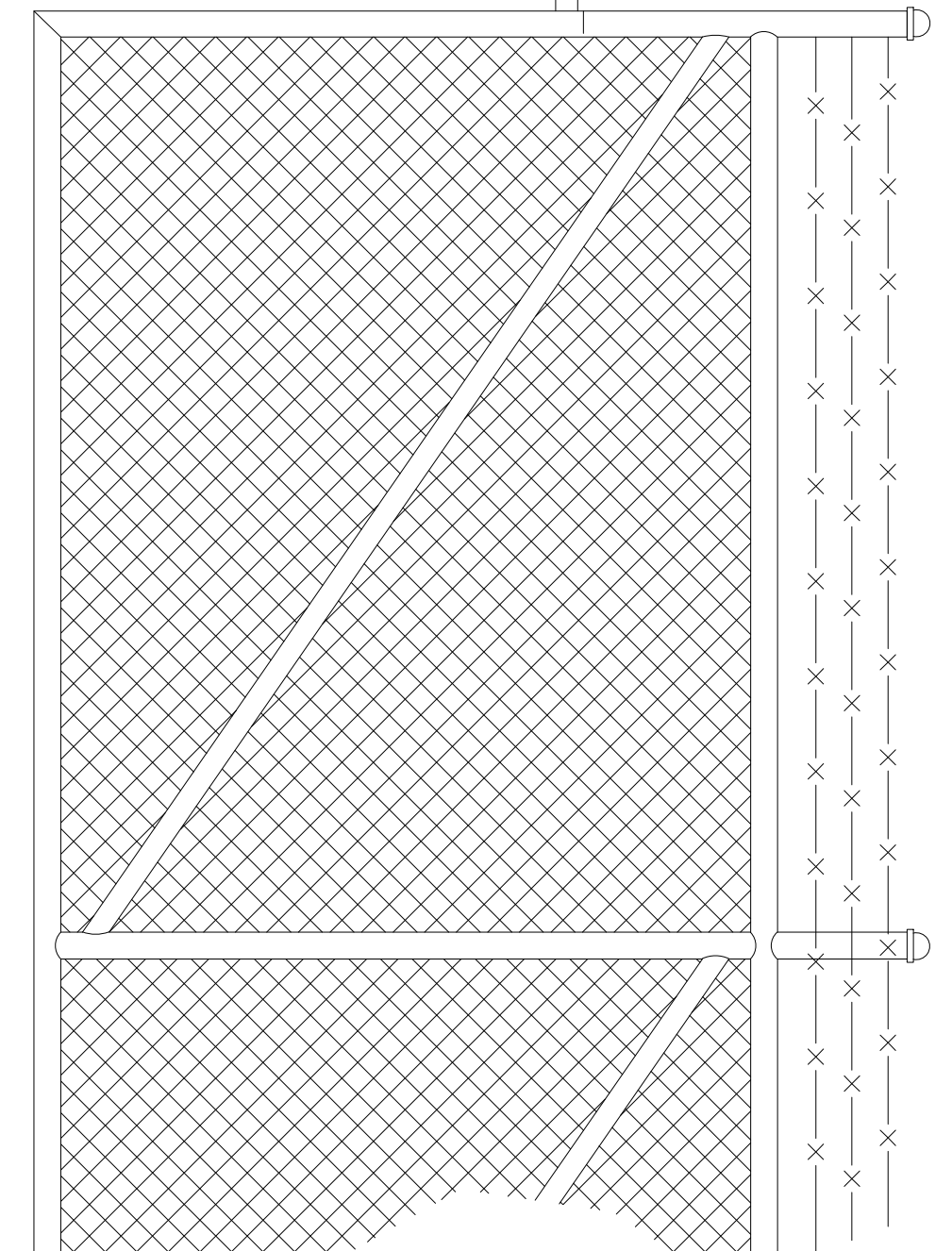
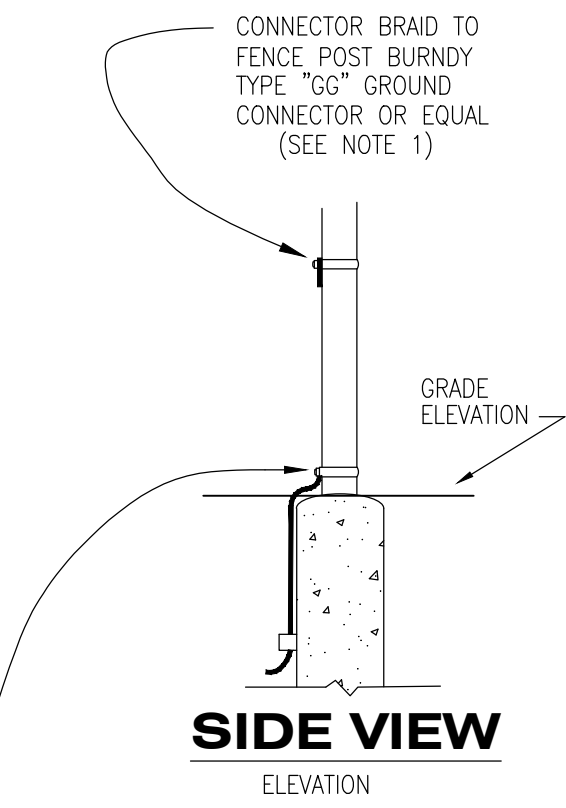
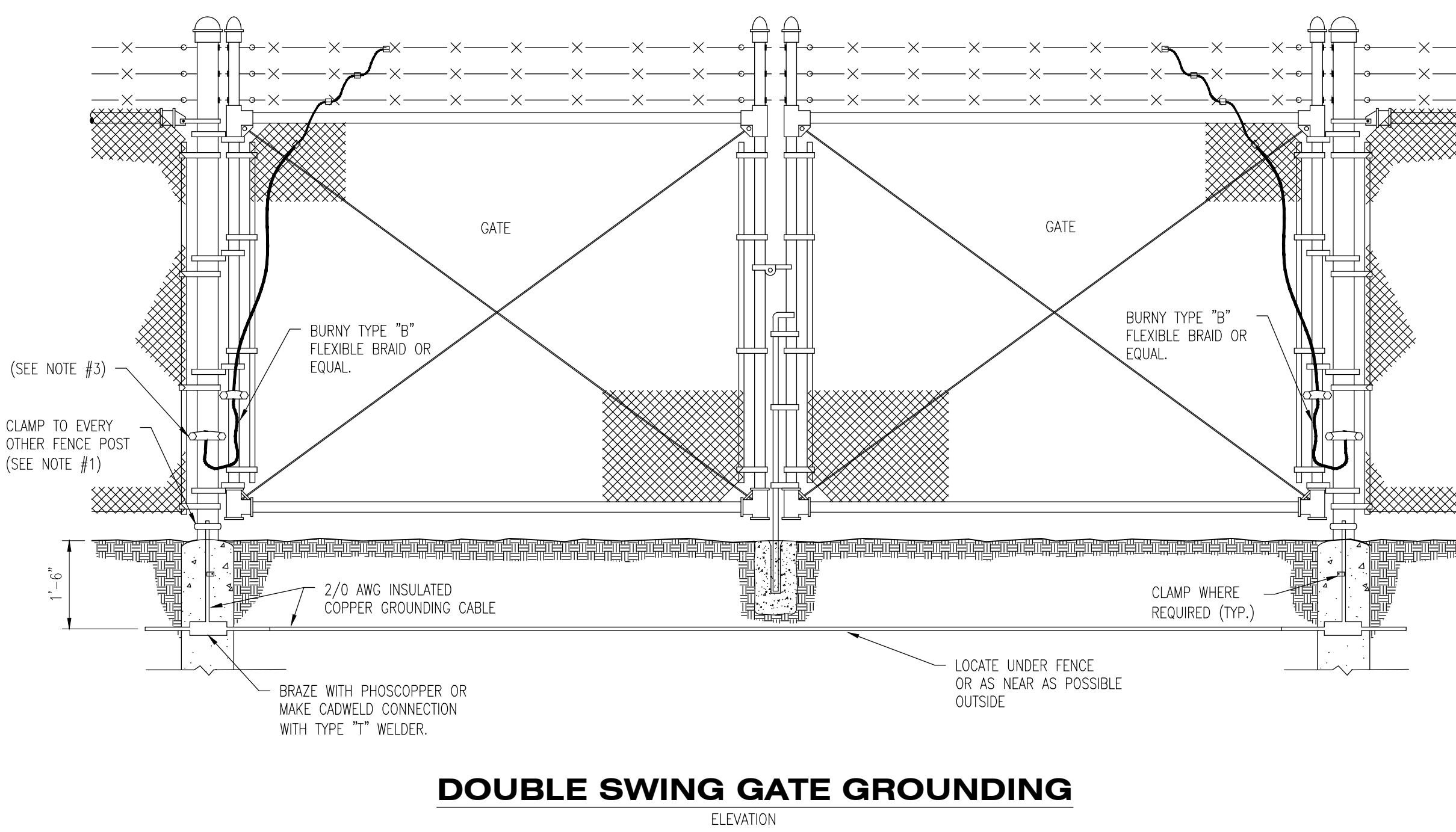
FENCE & GATE GROUNDING SPECIFICATIONS (SEE ALSO DTI EQUIP. SPEC. #18)

- NOTE:**
1. SCRAPE CONTACT SURFACES TO BRIGHT METAL AND APPLY NO-OX-ID GREASE OR EQUIVALENT BEFORE ATTACHING CLAMP.
 2. INSTALL GROUND RODS EVERY 50' ALONG ENTIRE FENCE PERIMETER AS A MINIMUM.
 3. FOR DOUBLE GATES, INSTALL GROUNDING CONNECTIONS FOR EACH GATE POST.
 4. FOR SLIDING GATES, A FLEXIBLE JUMPER IS TO BE ATTACHED ON THE STATIONARY COUNTERBALANCE POST AND IN THE MIDDLE OF THE SLIDING GATE FRAME. CABLE SHOULD HAVE ENOUGH SLACK SO AS TO REDUCE TENSION AT THE CONNECTION POINTS DURING THE FULLY OPEN & CLOSED POSITIONS AS WELL AS DURING MOVEMENT. INSTALL GROUNDING CONNECTIONS FOR EACH GATE POST.
 5. FOR SCISSOR (HATCHET) GATES, A FLEXIBLE JUMPER IS TO BE ATTACHED ON THE FIRST POST ADJACENT TO THE STATIONARY COUNTERBALANCE POST AND ON THE OUTER POST OF THE HATCHET GATE CLOSEST TO THE OPERATOR. CABLE SHOULD HAVE ENOUGH SLACK SO AS TO REDUCE TENSION AT THE CONNECTION POINTS DURING THE FULLY OPEN & CLOSED POSITIONS AS WELL AS DURING MOVEMENT. INSTALL GROUNDING CONNECTIONS FOR EACH GATE POST.
 6. REFERENCE DRAWING SFE6471 FOR FENCE DETAILS & SPECIFICATIONS.

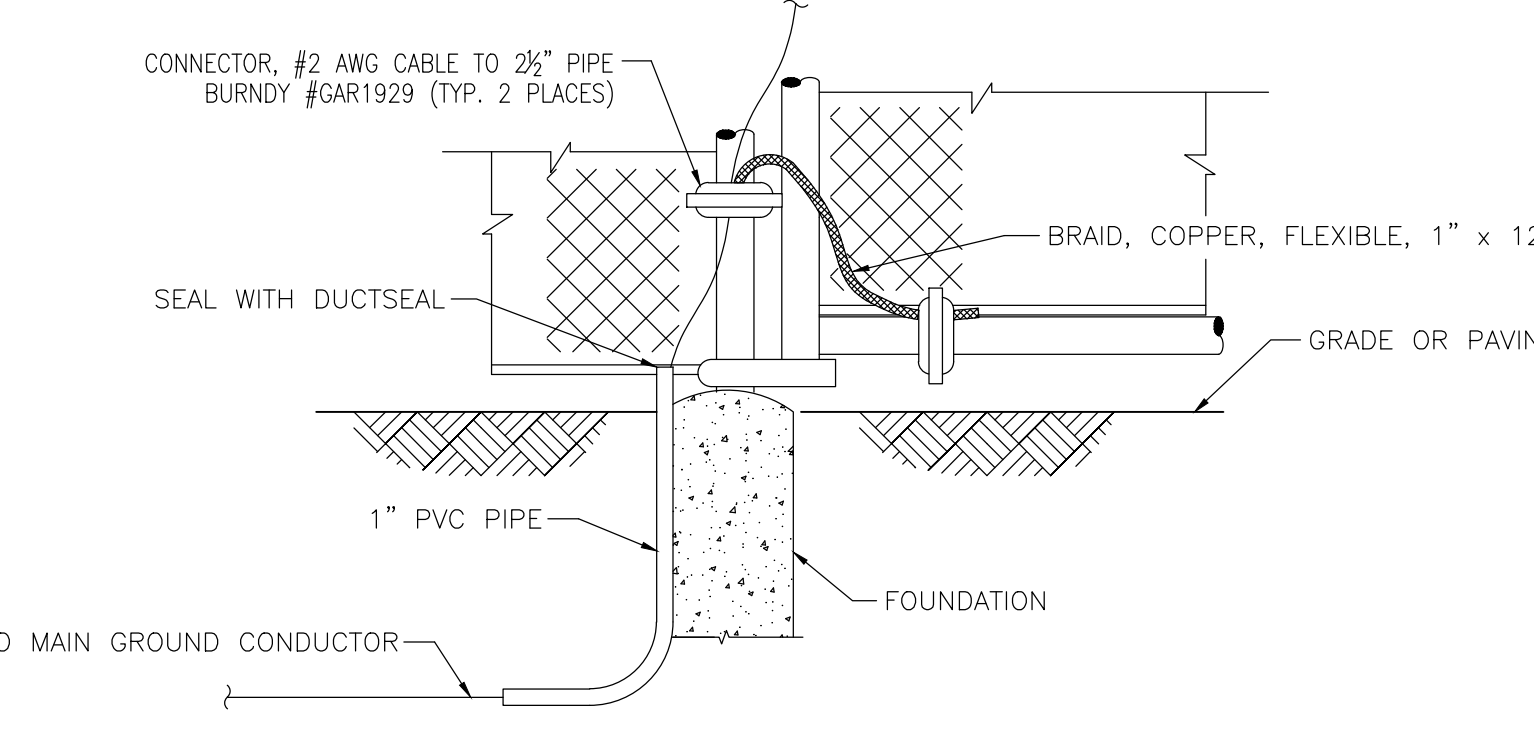
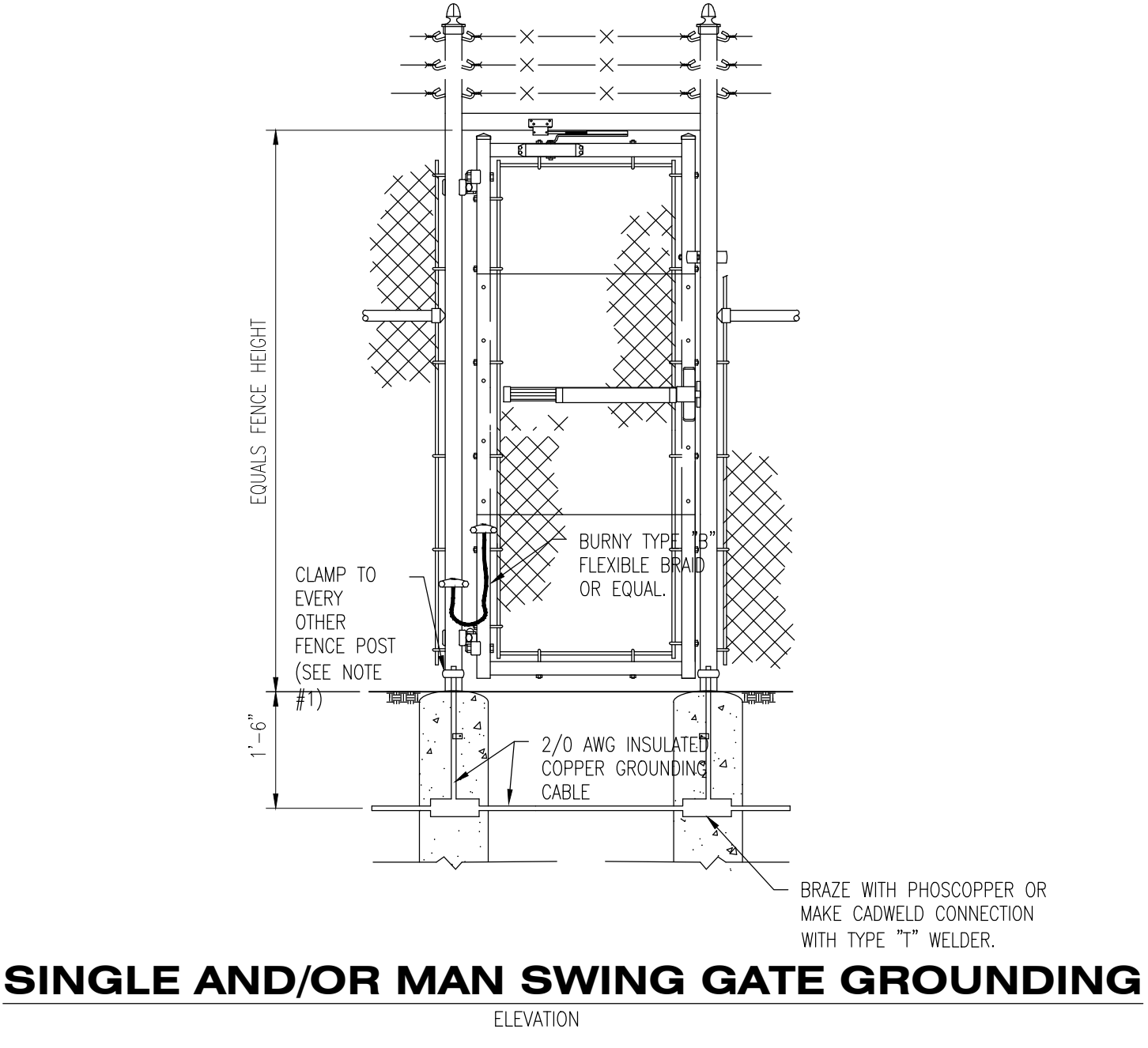
REFERENCE DRAWING:
 DWG. SFE6471
 (STANDARD FENCE DETAILS)



DETAIL #1
 TYPICAL FENCE GROUNDING PLAN VIEW



DETAIL #2
 TYPICAL FENCE GROUND TO GRID CONNECTION



DETAIL #3
 TYPICAL FENCE GATE GROUND TO GRID CONNECTION

GENERAL NOTES AND COMMENTS:		SYN. DATE BY		REVISION INFORMATION		PROJECT/TASK APP. SEAL		ORIGINAL CONSTRUCTION INFORMATION		EASTERN GAS TRANSMISSION AND STORAGE	
										Eastern Gas Transmission and Storage, Inc. 925 White Oaks Blvd., Bridgeport, WV 26330 (681) 842-3000	
								PROJECT/TASK:		FOR:	
								DRAWN: JRB 06/12/2017		TITLE: STANDARD FENCE & GATE GROUNDING DETAILS	
								CHECKED: DPK 07/27/2017		DWC. NO.	
								APP. FOR CONST.: SRS 11/09/2017		REV: 1	
								SCALE: N.T.S.		GROUP: SF	
										DWC. NO. E6471A	
										REV. 1	