



AMICO
PERIMETER SECURITY

DRAWING NAME: 4FT X 8FT PED GATE				SO #: N/A
CUSTOMER NAME: AMICO				DRAWN BY: J. PERUCCO
JOB NAME: PALISADE				CHECKED BY: J. WILSON
DIM "A"	DIM "B"	DIM "C"	DIM "D"	DATE: 10/19/2023



DAC# 6003 - DETEX EXIT BAR
36" WAETHER RESISTANT & MANUAL STRIKE



DAC# 6012 MORTISE
CYLINDER HOUSING
(WORKS WITH 6 OR 7 PIN CORE)



WILSON BOHANNAN
SPIC CORE WITH 2 KEYS



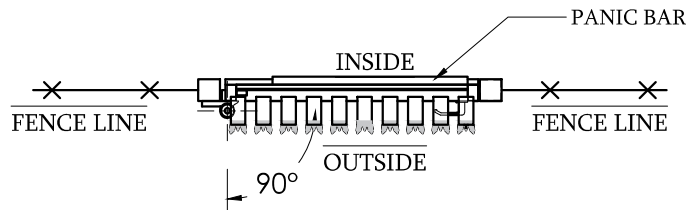
DAC# 611-S LEVER HANDLE
DAC# 6012 MORTISE
CYLINDER HOUSING
(WORKS WITH 6 OR 7 PIN CORE)



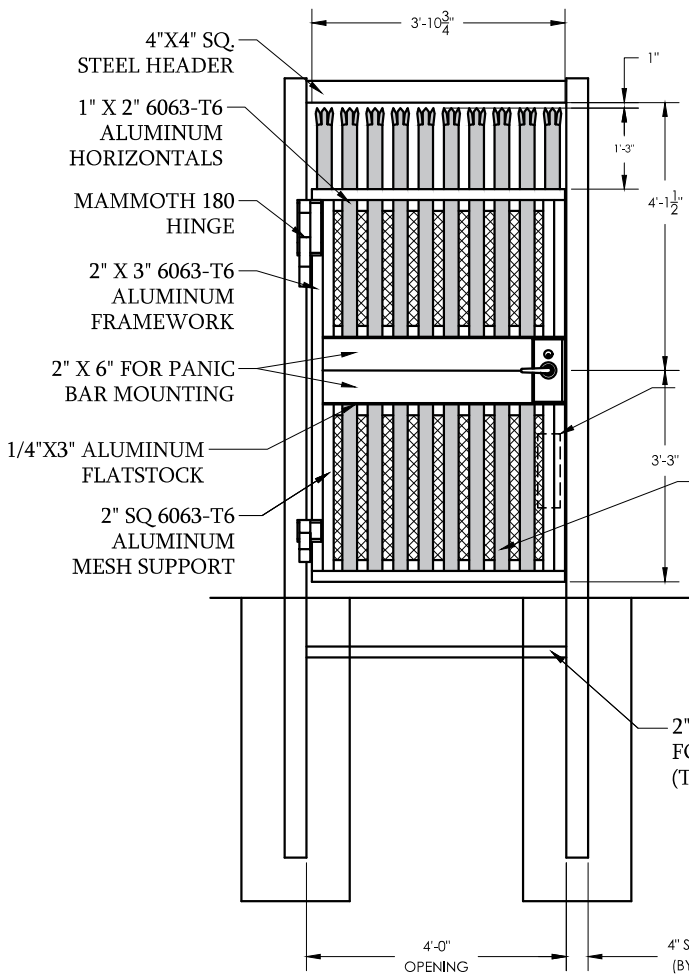
LOCINOX MAMMOTH 180
HYDRAULIC SELF-CLOSING
GATE CLOSER AND HINGE



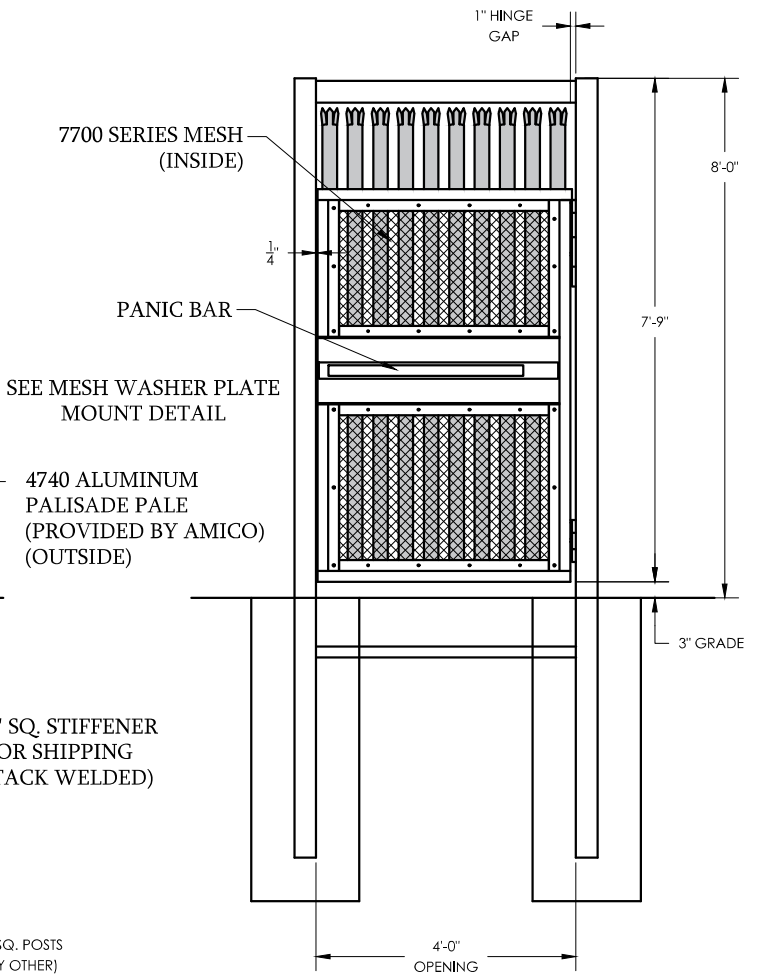
ALUMINUM 4740 PALISADE PALE
(PROVIDED BY AMICO)



TOP VIEW



ELEVATION VIEW
(OUTSIDE LOOKING IN)

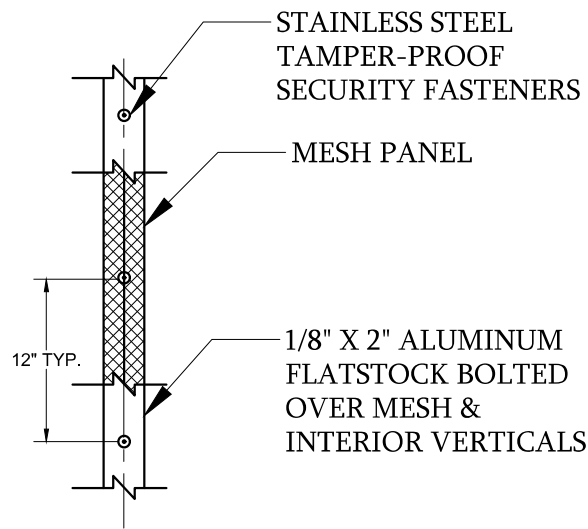
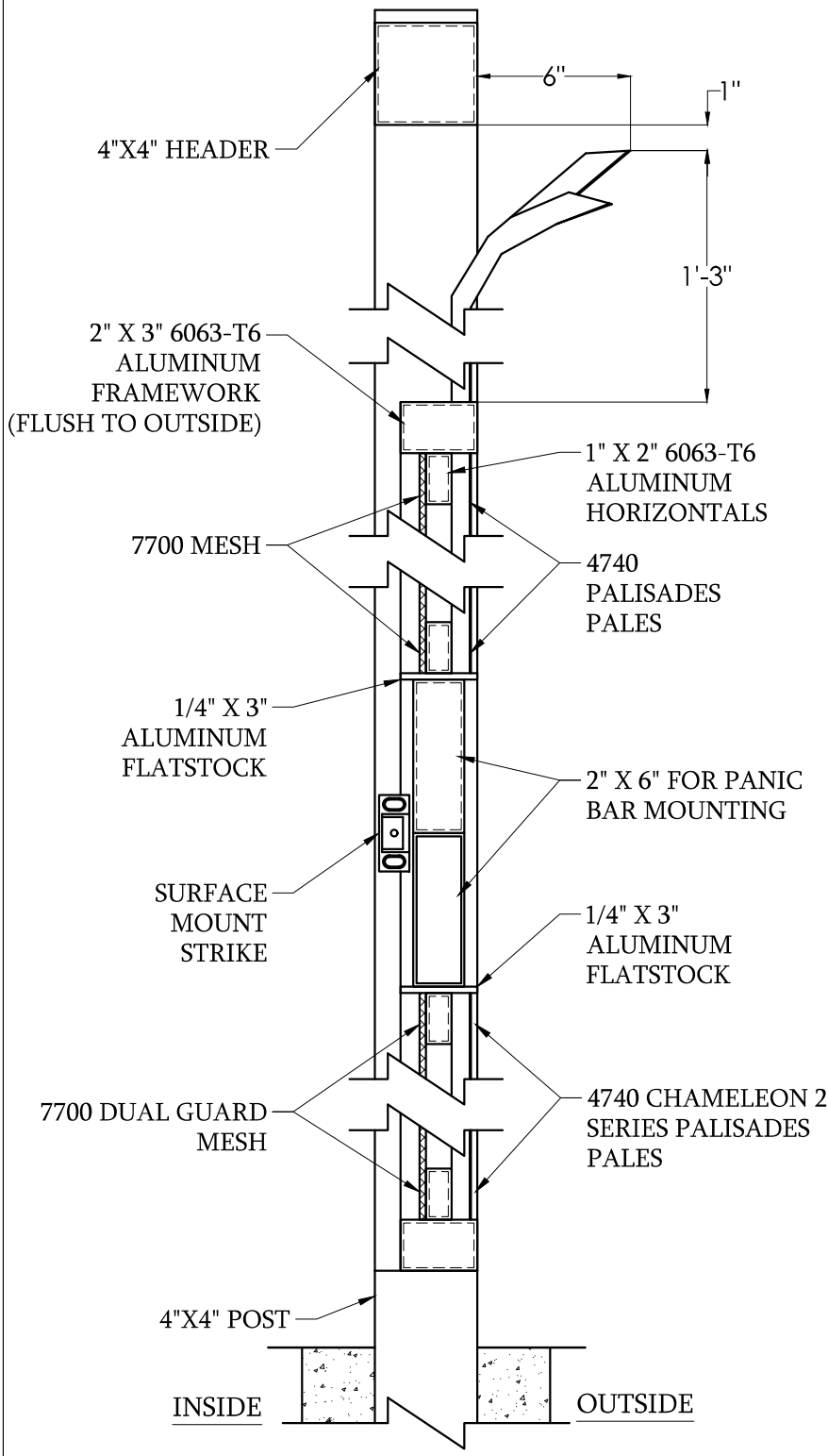


ELEVATION VIEW
(INSIDE LOOKING OUT)



AMICO
PERIMETER SECURITY

DRAWING NAME: 4FT X 8FT PED GATE				SO #: N/A
CUSTOMER NAME: AMICO				DRAWN BY: J. PERUCCO
JOB NAME: PALISADE				CHECKED BY: J. WILSON
DIM 'A'	DIM 'B'	DIM 'C'	DIM 'D'	DATE: 10/19/2023



MESH WASHER PLATE MOUNT DETAIL

SIDE VIEW