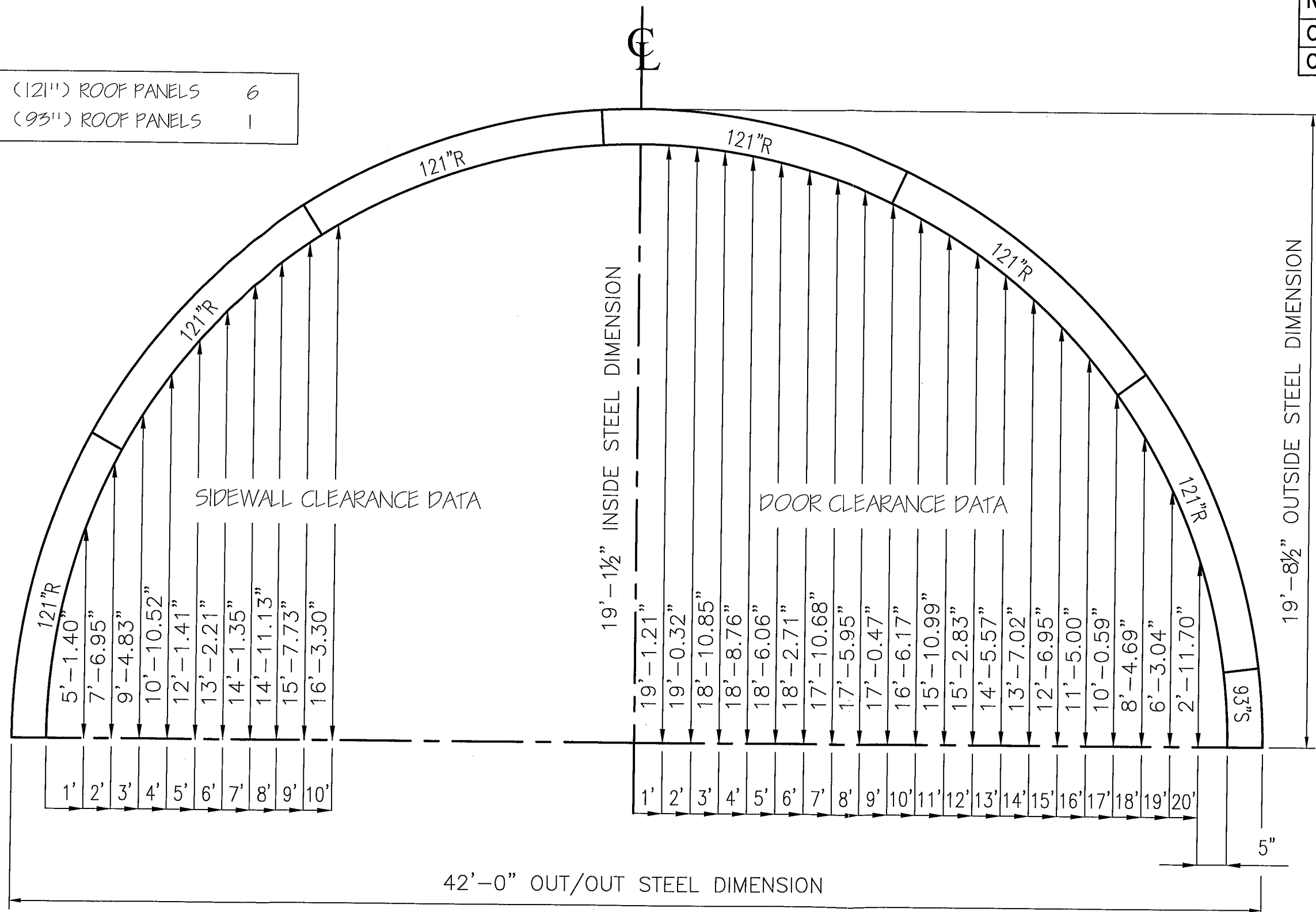


MODEL: Q42-20
 CUST. NAME: FINGER LAKE STONE C/C
 ORDER NUMBER: 106398

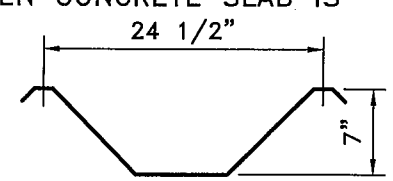
(121") ROOF PANELS 6
 (93") ROOF PANELS 1

GENERAL NOTES:

1. NO LOADS OTHER THAN THOSE GIVEN UNDER "DESIGN DATA" BELOW BE IMPOSED ON THE "STRUCTURE"
2. THE FOUNDATION ON THE DRAWING IS A SUGGESTED SOLUTION ONLY. CHANGES MAY BE NECESSARY DUE TO LOCAL BUILDING REGULATIONS.
3. THE FOUNDATION SHALL BE FOUNDED ON NATURAL UNDISTURBED SOIL CAPABLE OF SAFELY SUSTAINING 1500 PSF. AND AT LEAST 12 IN. BELOW FINISHED GRADE.
4. SLAB ON GRADE SHALL BE PLACED ON SOIL CAPABLE OF SUSTAINING 500 PSF. WITHOUT APPROPRIATE SETTLEMENT.
5. BUILDING MUST BE GROUTED INTO TROUGH, INSIDE AND OUT TO MAINTAIN STRUCTURAL INTERGRITY EXCEPT WHEN USING BASE PLATE CONNECTORS.
6. CROSS TIES MUST BE INCASD IN CONCRETE WHEN CONCRETE SLAB IS NOT USED



ARCH DATA:



DESIGN DATA:

STEEL GAGE: 22
 50 KSI MIN. YIELD
 GALVALUME SHEET STEEL
 LIVE LOAD: 43 PSF
 ULTIMATE WIND SPEED: 121 MPH

MATERIALS:

1. CONCRETE STRENGTH AT 28 DAYS TO BE 2500 PSI
2. REINFORCING STEEL TO BE DEFORMED BARS, GRADE 60
3. ALL MATERIALS SHALL CONFORM TO THE APPROPRIATE ASTM SPECIFICATIONS.

ARCH PROFILE

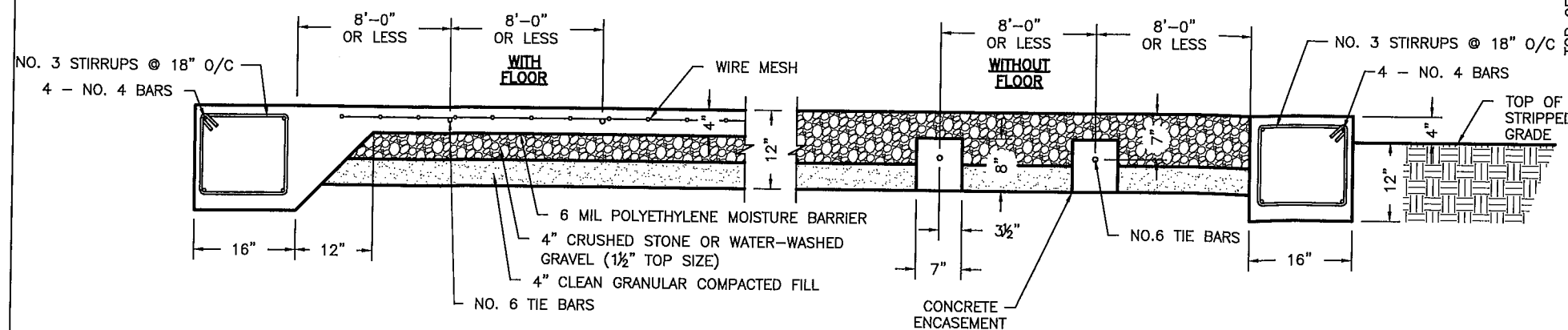
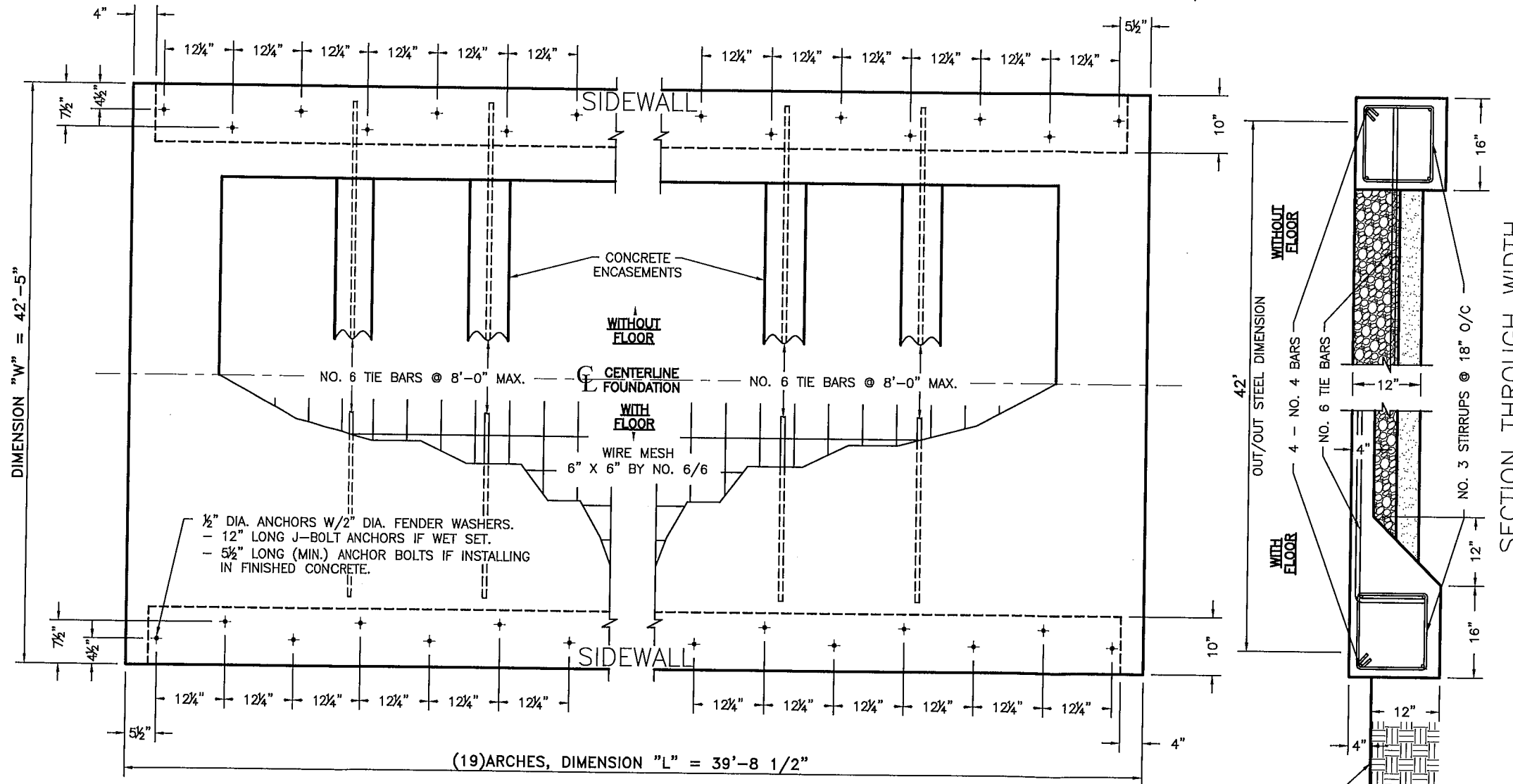
ARCHES ONLY
 (NO ENDWALLS)
 SCALE: NTS SHEET: 1 OF 5

NOTE:
 THE SHORT PANELS MUST BE ALTERNATED FROM SIDE TO SIDE ON SUCCESSIVE ARCHES, TO CREATE A STAGGERED JOINT FOR GREATER STRENGTH.



ATTENTION:

The foundation shown may not conform to your local by-laws and has no warranty as to its sufficiency for your particular area and or application. Retain a registered professional engineer to design a foundation which meets local by-laws and frost level depth requirements (if applicable), is adequate for soil conditions on the site, and conforms to the intended use of the building. The engineer should also be retained to inspect construction to ensure that the foundation is being built in conformity with his design. If the design engineer requires, retain a soils engineering specialist to report on soil conditions and soil compaction values.

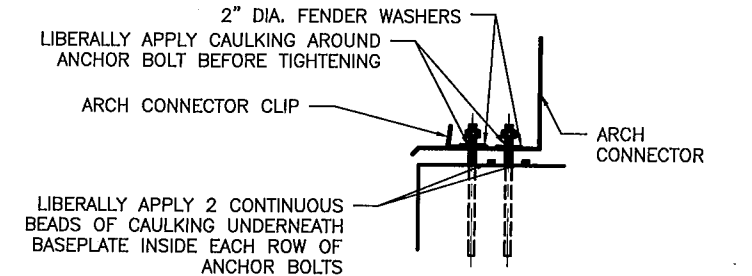


SECTION THROUGH LENGTH

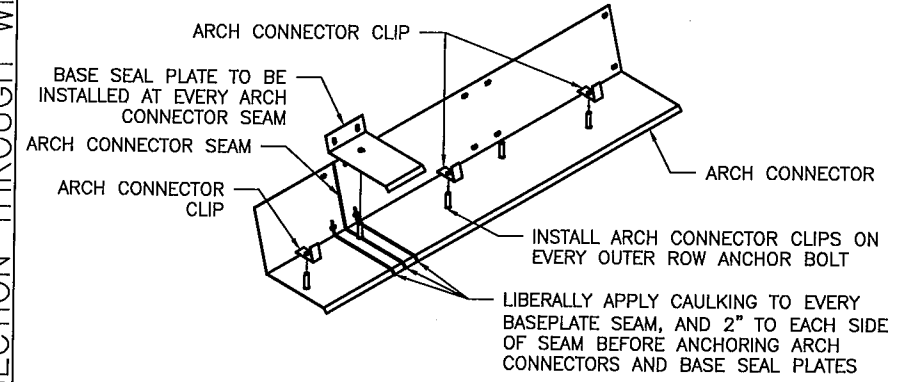
FOUNDATION - 2500 PSI STRENGTH

MODEL:	Q42-20
CUST. NAME:	FINGER LAKE STONE C/C
ORDER NUMBER:	106398

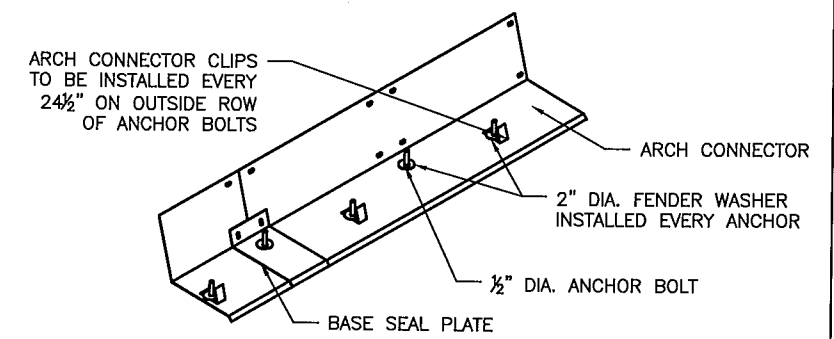
SEE SHEET 5 FOR ARCH CONNECTOR
BASEPLATE LAYOUT



CAULKING UNDER ARCH CONNECTORS
AND ANCHOR BOLT HOLES



INSTALLING BASE SEAL PLATES AND
ARCH CONNECTOR CLIPS

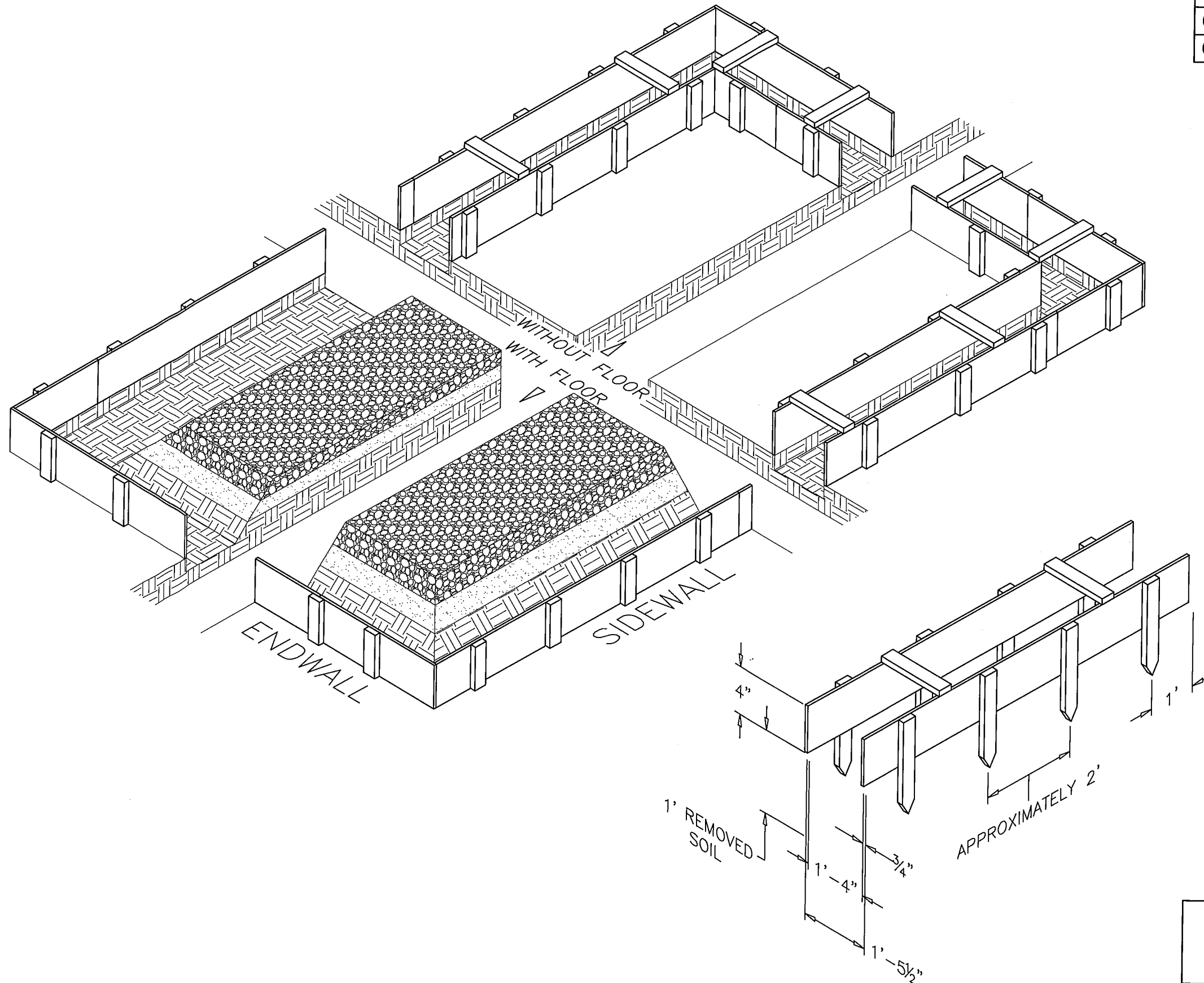


COMMERCIAL ARCH CONNECTOR
ASSEMBLED AND READY FOR ARCHES

**COMMERCIAL BASE CONNECTOR
GENERAL ARRANGEMENT**

**ARCHES ONLY
(NO ENDWALLS)**

MODEL:	Q42-20
CUST. NAME:	FINGER LAKE STONE C/C
ORDER NUMBER:	106398



NOTES: REINFORCING STEEL NOT SHOWN. REFER TO SHEET #4.

WITHOUT FLOOR FORM DETAIL

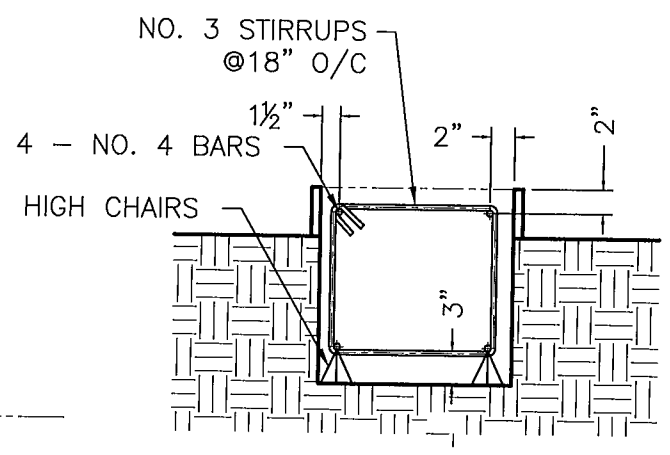
COMMERCIAL BASE CONNECTOR
WOODEN FORM ARRANGEMENT

ARCHES ONLY
(NO ENDWALLS)

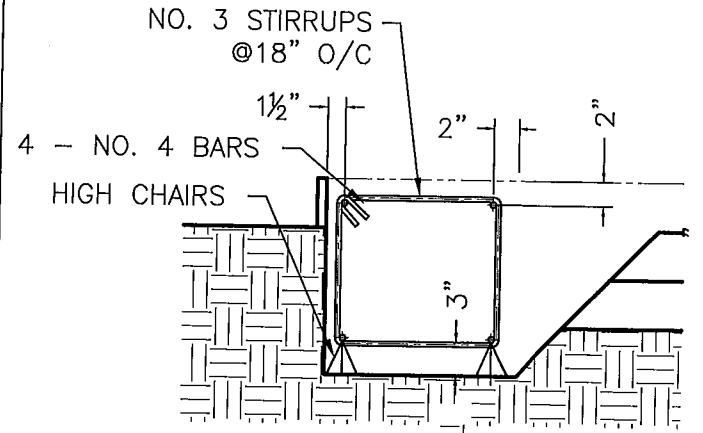
SCALE: NTS

SHEET: 3 OF 5

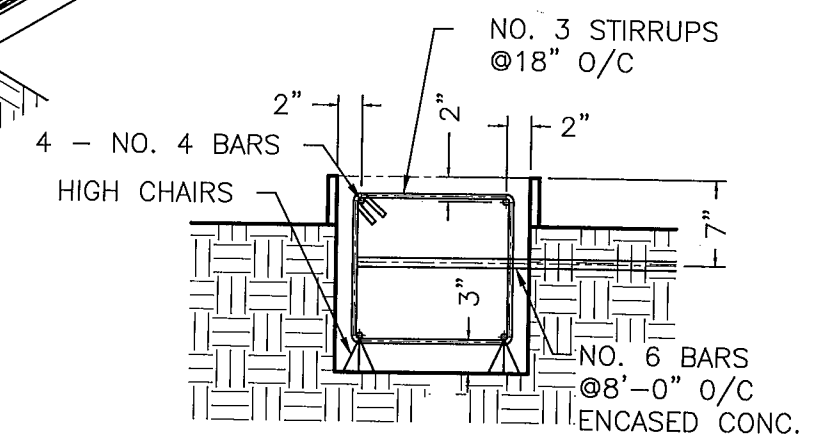
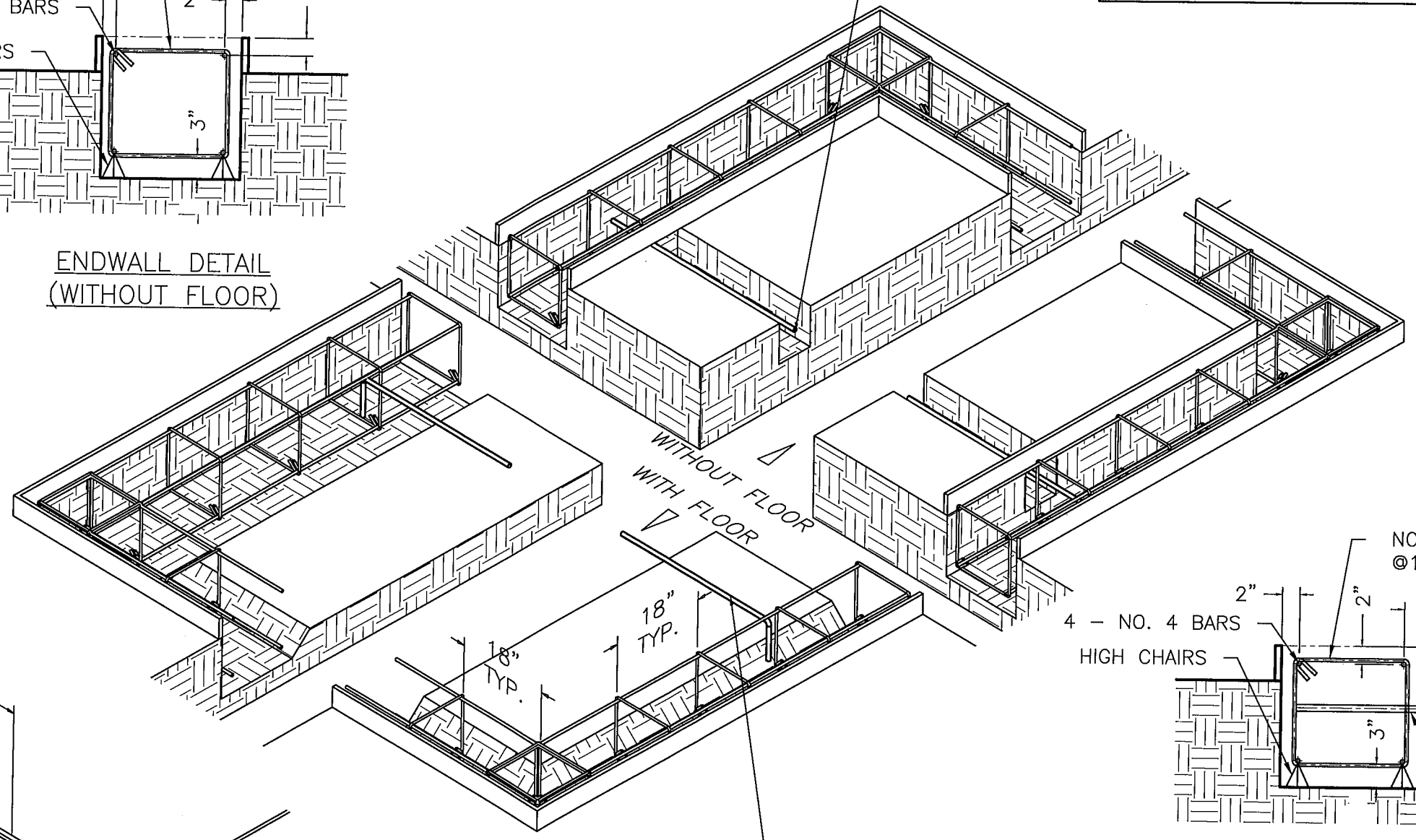
MODEL: Q42-20
 CUST. NAME: FINGER LAKE STONE C/C
 ORDER NUMBER: 106398



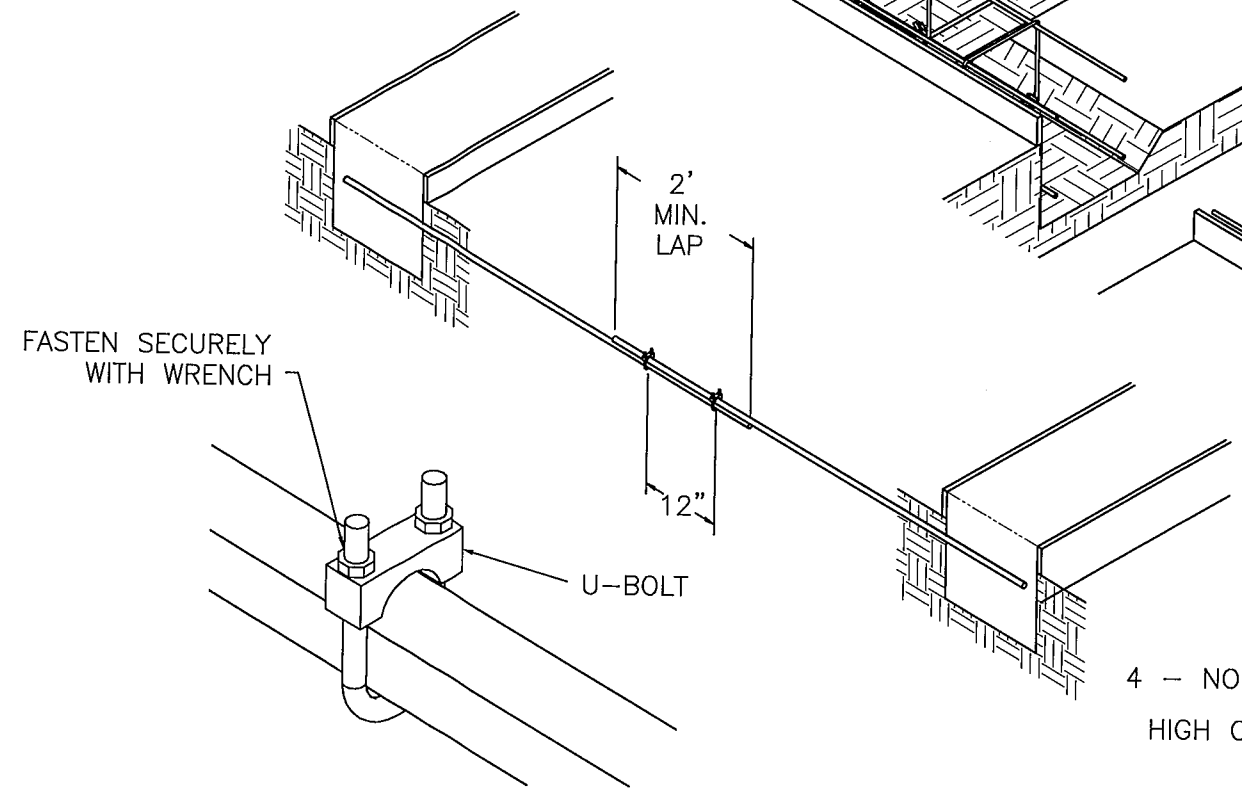
ENDWALL DETAIL
(WITHOUT FLOOR)



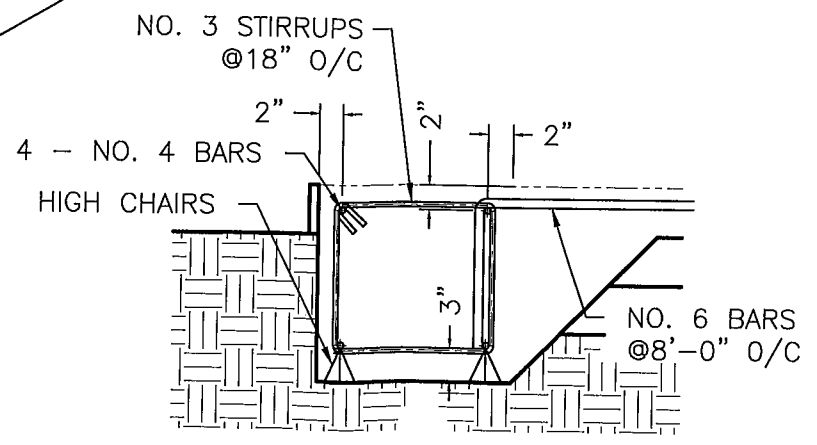
ENDWALL DETAIL
(WITH FLOOR)



SIDEWALL DETAIL (WITHOUT FLOOR)



TIE BAR SPLICING DETAIL



SIDEWALL DETAIL (WITH FLOOR)

NOTE:
 USE TWO U-BOLTS PER SPLICE. ENCASE TIE BARS AND U-BOLTS
 IN CONCRETE AS SHOW ON SHEET 2.

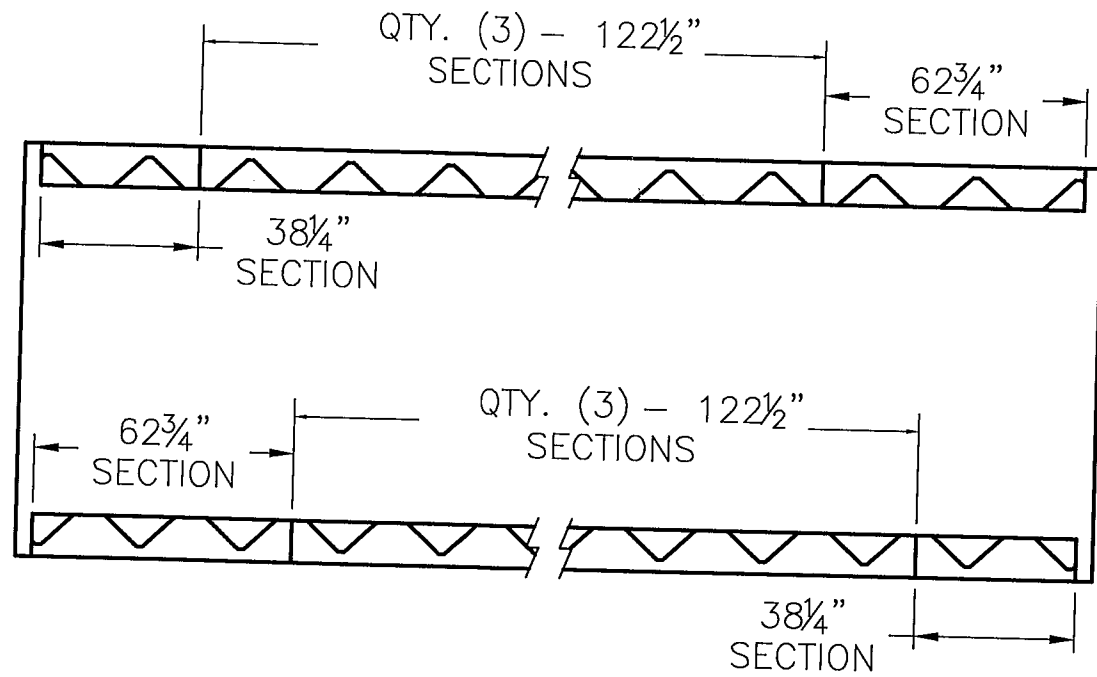
REBAR TABLE		
BAR NO.	DIAMETER	MIN. LAP
NO. 3 (10M)	3/8" (11.3mm)	1'-0"
NO. 4 (15M)	1/2" (16.0mm)	1'-4"
NO. 6 (20M)	3/4" (19.5mm)	2'-0"

**COMMERCIAL BASE CONNECTOR
 STEEL REINFORCEMENTS**

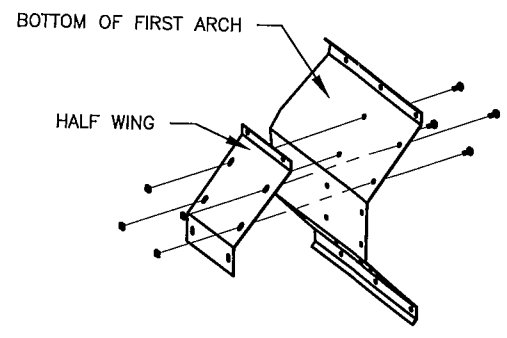
ARCHES ONLY
 (NO ENDWALLS)

SCALE: NTS SHEET: 4 OF 5

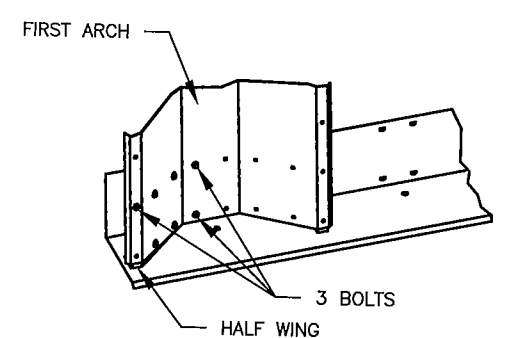
MODEL: Q42-20
CUST. NAME: FINGER LAKE STONE C/C
ORDER NUMBER: 106398



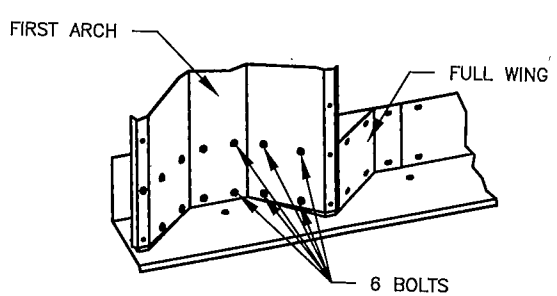
ARCH CONNECTOR BASEPLATE LAYOUT



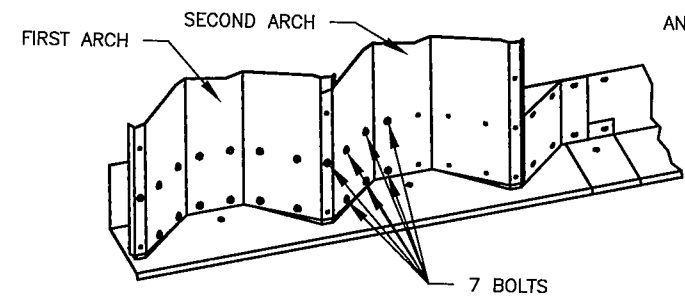
1. ATTACH HALF WING WITH 4 BOLTS TO THE INSIDE BOTTOM OF THE FIRST ARCH BEFORE STANDING ARCH.



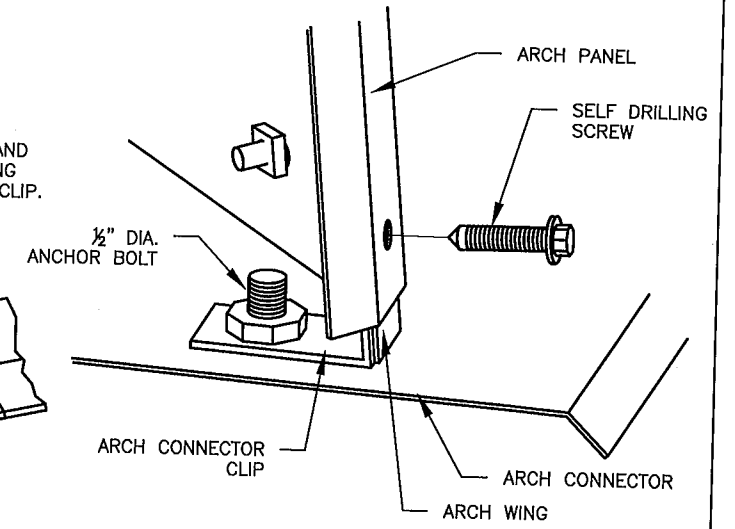
2. STAND THE FIRST ARCH WITH HALF WING ATTACHED AND FASTEN WITH 3 BOLTS AS SHOWN ABOVE. THE HALF WING SHOULD BE TO THE OUTSIDE OF THE ARCH CONNECTOR CLIP.



3. INSERT FULL WING BEHIND THE FIRST ARCH AND OUTSIDE OF THE ARCH CONNECTOR CLIP AND FASTEN WITH 6 BOLTS.

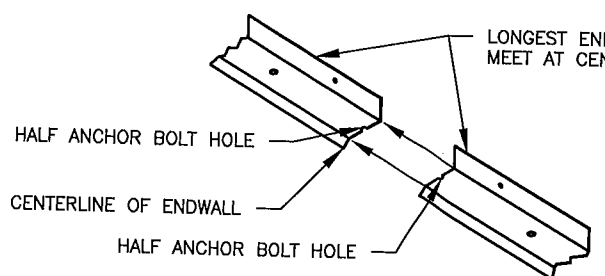


4. STAND THE SECOND ARCH AND ALIGN ON TOP OF FIRST ARCH AND ATTACH WITH 7 BOLTS. REPEAT PROCESS UNTIL THE ENTIRE BUILDING IS ERECTED. AFTER ALL ARCHES ARE ERECTED, USE EXISTING HOLES IN THE ARCH PANEL AND WINGS TO LOCATE THE SELF DRILLING SCREWS TO FASTEN TO THE ARCH CONNECTOR CLIP AS SHOWN IN THE CLIP WING ASSEMBLY DETAIL.

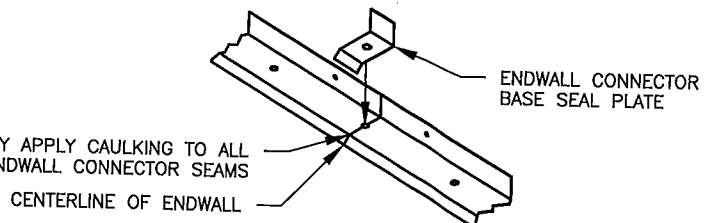


CLIP WING ASSEMBLY DETAIL
 CURVED ANGLE NOT SHOWN FOR CLARITY

COMMERCIAL ARCH CONNECTOR ASSEMBLY

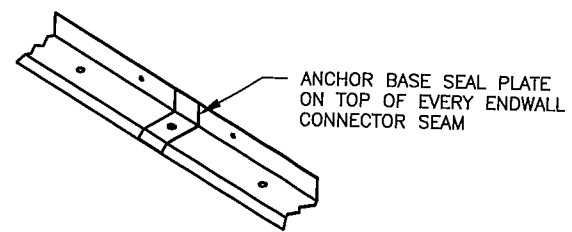


LONGEST ENDWALL CONNECTORS MEET AT CENTER OF ENDWALL

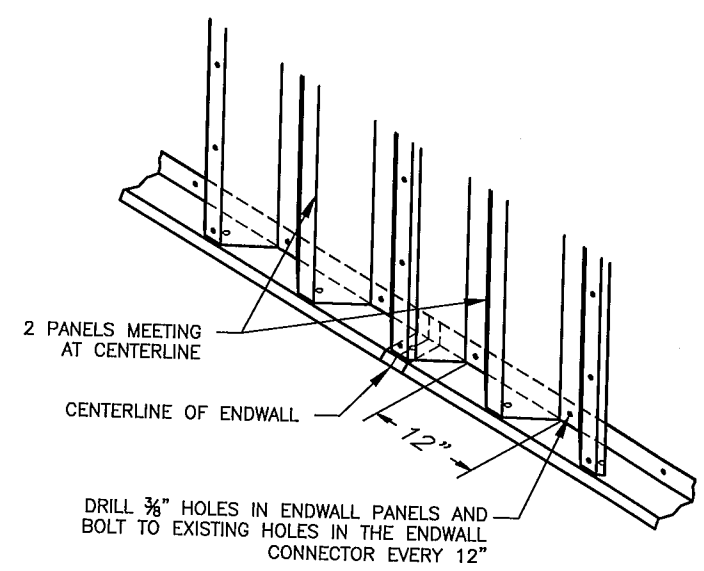


ENDWALL CONNECTOR BASE SEAL PLATE

LIBERALLY APPLY CAULKING TO ALL ENDWALL CONNECTOR SEAMS

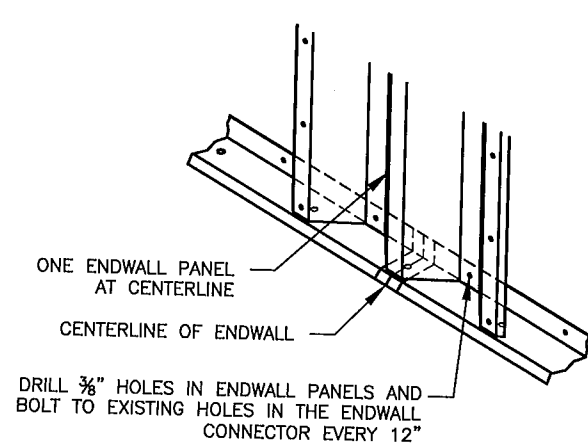


ANCHOR BASE SEAL PLATE ON TOP OF EVERY ENDWALL CONNECTOR SEAM



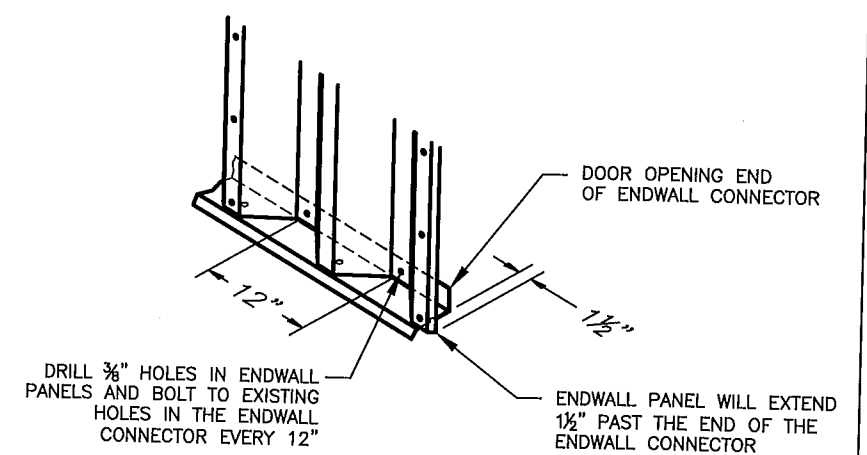
2 PANELS MEETING AT CENTERLINE
 CENTERLINE OF ENDWALL
 DRILL 3/8" HOLES IN ENDWALL PANELS AND BOLT TO EXISTING HOLES IN THE ENDWALL CONNECTOR EVERY 12"

TWO PANELS AT CENTER OF ENDWALL



ONE ENDWALL PANEL AT CENTERLINE
 CENTERLINE OF ENDWALL
 DRILL 3/8" HOLES IN ENDWALL PANELS AND BOLT TO EXISTING HOLES IN THE ENDWALL CONNECTOR EVERY 12"

ONE PANEL AT CENTER OF ENDWALL



DRILL 3/8" HOLES IN ENDWALL PANELS AND BOLT TO EXISTING HOLES IN THE ENDWALL CONNECTOR EVERY 12"
 ENDWALL PANEL WILL EXTEND 1 1/2" PAST THE END OF THE ENDWALL CONNECTOR

OPEN ENDWALL CONNECTOR NOTES:
 1. ENDWALLS WITH OPENINGS SHOULD START WITH THE HALF ANCHOR HOLE IN THE ENDWALL CONNECTOR TOWARDS THE DOOR OPENING AS SHOWN ABOVE.
 2. THE ANCHOR BOLTS SHOULD CONTINUE AT 12" CENTERS OUTWARD.
 3. ATTACH PANELS AT 12" CENTERS TO THE HOLES IN THE ENDWALL CONNECTOR.

OPEN ENDWALL CONNECTOR

INSTALLING SOLID ENDWALL CONNECTORS NOTES:
 1. USE 1/2" DIA. ANCHOR BOLTS X 5 1/2" (OR LONGER) AND 2" DIA. FENDER WASHERS FOR EVERY ENDWALL CONNECTOR ANCHOR BOLT HOLE.
 2. CAULKING SHOULD BE APPLIED LIBERALLY UNDER THE ENDWALL CONNECTOR, AROUND EVERY ANCHOR HOLE, AND AT THE ENDWALL CONNECTOR SEAMS UNDER ANY BASE SEAL PLATES.
 3. FOR SOLID ENDWALLS, THE COMMERCIAL ENDWALL CONNECTORS SHOULD BE INSTALLED STARTING FROM THE CENTER OF THE ENDWALL. THE LONGEST ENDWALL CONNECTOR SECTIONS WILL MEET AT THE CENTER WITH THE HALF ANCHOR BOLT HOLES MEETING AS SHOWN ABOVE. REMAINING ENDWALL CONNECTOR SECTIONS SHOULD BE ANCHORED SO THAT THE ANCHOR BOLT PATTERN CONTINUES EVERY 12" FOR THE ENTIRE LENGTH OF ENDWALL.

ATTACHING SOLID ENDWALL PANELS TO ENDWALL CONNECTOR NOTES:
 1. AFTER ENDWALL CONNECTORS ARE ANCHORED, THE ENDWALL PANELS SHOULD BE ATTACHED TO THE ENDWALL CONNECTORS STARTING AT THE CENTER FIRST AND THEN WORK OUTWARDS.
 2. THERE WILL BE EITHER ONE PANEL CENTERED ON THE ENDWALL OR 2 PANELS MEETING AT THE CENTER OF THE ENDWALL AS SHOWN ABOVE. SEE SHEET 5 OR 6 FOR THE CONFIGURATION OF THE ENDWALL PANELS.

SOLID ENDWALL CONNECTOR AND BASE SEAL PLATE ASSEMBLY

COMMERCIAL BASE CONNECTOR DETAILS

ARCHES ONLY (NO ENDWALLS)